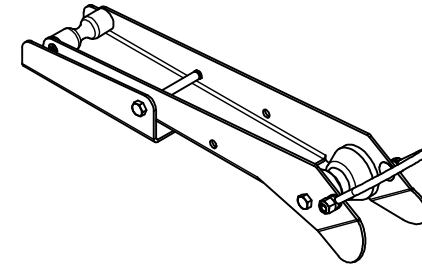
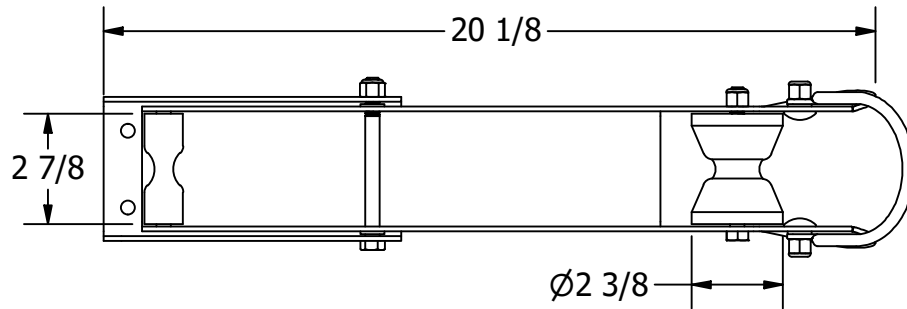
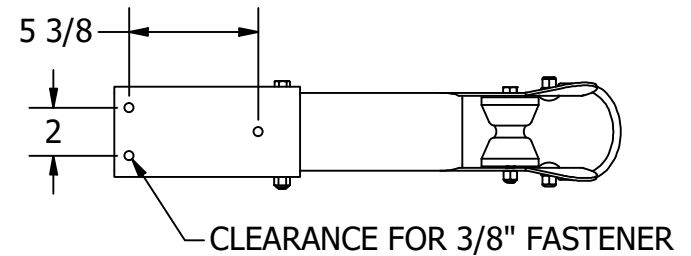
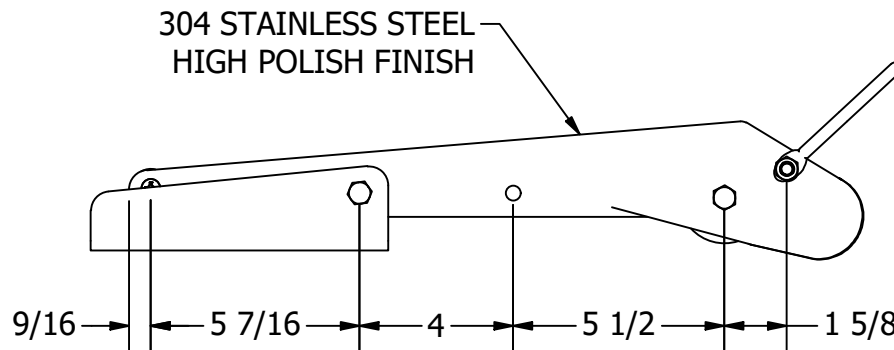


# FOR REFERENCE ONLY



ISO VIEW  
SCALE 1/8



BOTTOM VIEW  
SCALE 1/8

UNLESS OTHERWISE SPECIFIED:  
BREAK ALL SHARP EDGES  
DIMENSIONS ARE IN INCHES  
TOLERANCES:  
FRACTIONAL:  $\pm 1/16$   
DECIMAL: X.X  $\pm .05$   
          X.XX  $\pm .01$   
          X.XXX  $\pm .005$   
ANGULAR:  $\pm 1^\circ$   
FINISH: 120Ra

**PROPRIETARY AND CONFIDENTIAL**  
THE INFORMATION CONTAINED IN THIS  
DRAWING IS THE SOLE PROPERTY OF WHITE  
WATER MARINE HARDWARE. ANY REPRODUCTION  
IN PART OR AS A WHOLE WITHOUT WRITTEN  
PERMISSION IS PROHIBITED.

|   |                             |  |              |
|---|-----------------------------|--|--------------|
|  |                             | <b>WHITE WATER</b><br>MARINE HARDWARE                            |              |
|   |                             | TITLE<br>PIVOTING SELF-LAUNCH BOW ROLLER<br>PART NUMBER: AR7561S |              |
| SIZE<br><b>A</b>  | DRAWING NO.<br>WWMH-AR7561S |  | REV<br>0     |
| SCALE<br>1/5  | DRAWN<br>RC                 | DATE<br>8/15/2024  | SHEET 1 OF 1 |