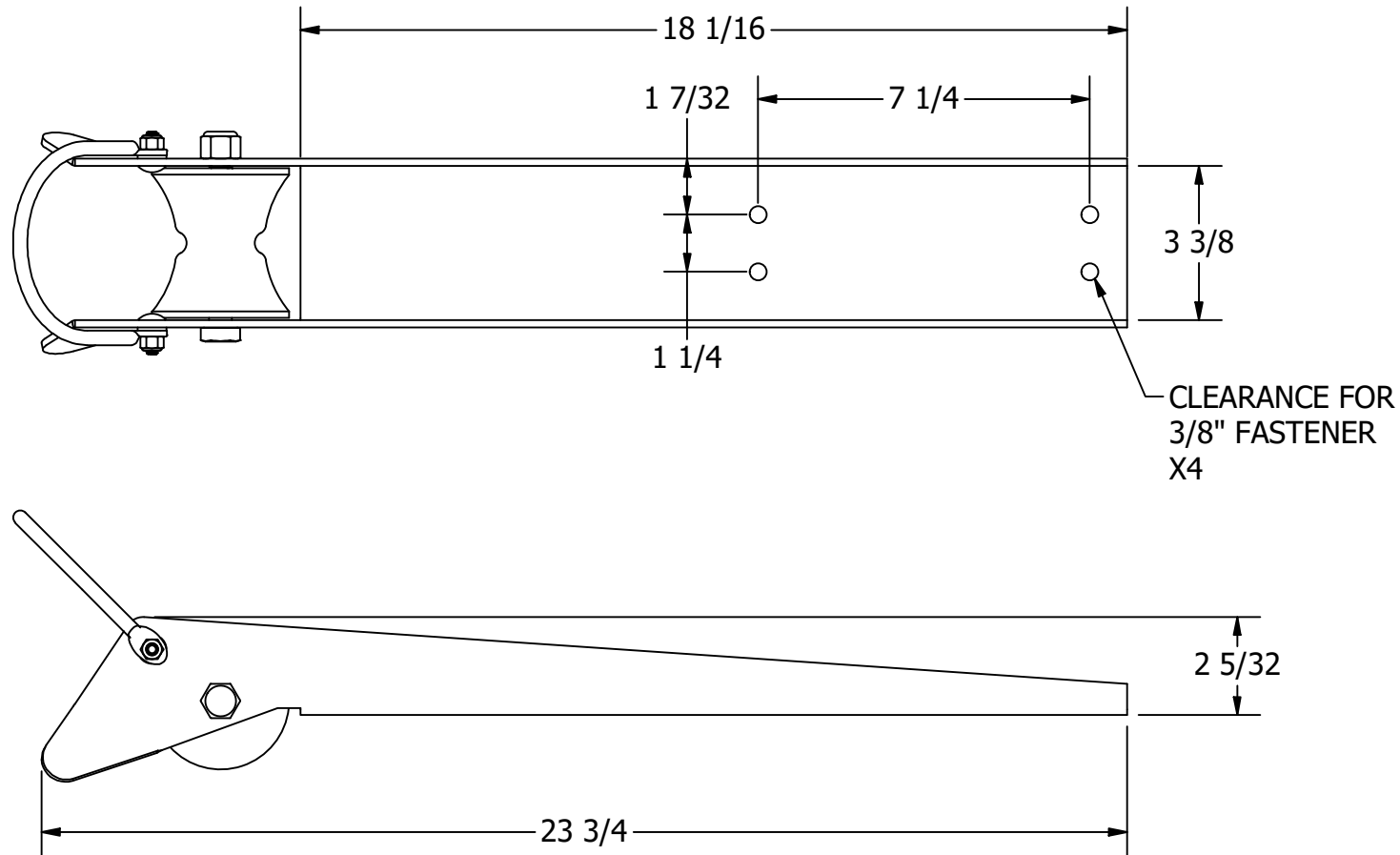


# FOR REFERENCE ONLY

NOTE:  
304 STAINLESS STEEL STAMPED  
SATIN FINISH



UNLESS OTHERWISE SPECIFIED:  
BREAK ALL SHARP EDGES  
DIMENSIONS ARE IN INCHES  
TOLERANCES:  
FRACTIONAL:  $\pm 1/16$   
DECIMAL: X.X  $\pm .05$   
          X.XX  $\pm .01$   
          X.XXX  $\pm .005$   
ANGULAR:  $\pm 1^\circ$   
FINISH: 120Ra



**WHITE WATER**  
MARINE HARDWARE

TITLE  
STAINLESS LARGE UNIVERSAL BOW ANCHOR ROLLER  
PART NUMBER: ARWU-03

**PROPRIETARY AND CONFIDENTIAL**  
THE INFORMATION CONTAINED IN THIS  
DRAWING IS THE SOLE PROPERTY OF WHITE  
WATER MARINE HARDWARE. ANY REPRODUCTION  
IN PART OR AS A WHOLE WITHOUT WRITTEN  
PERMISSION IS PROHIBITED.

SIZE A	DRAWING NO. WWMH-ARWU-03	REV 0
SCALE 1/4	DRAWN RC	DATE 8/14/2024
		SHEET 1 OF 1