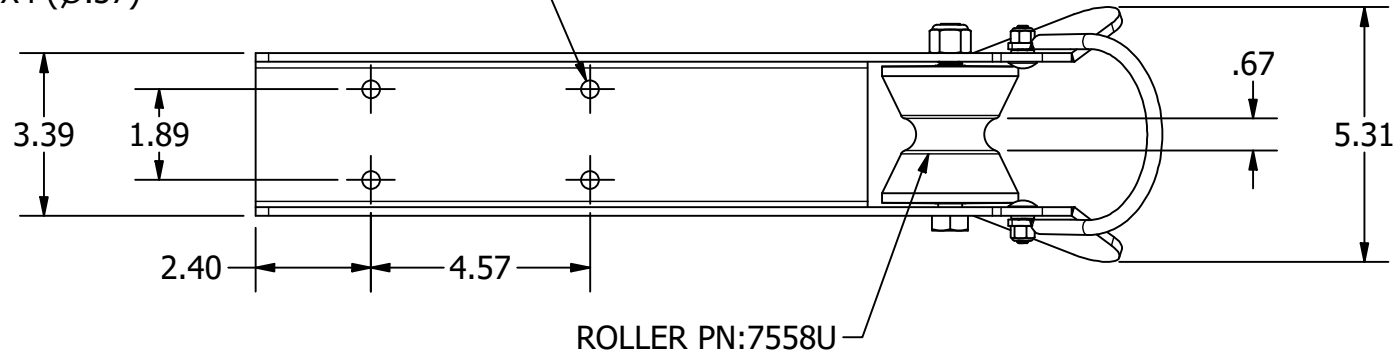
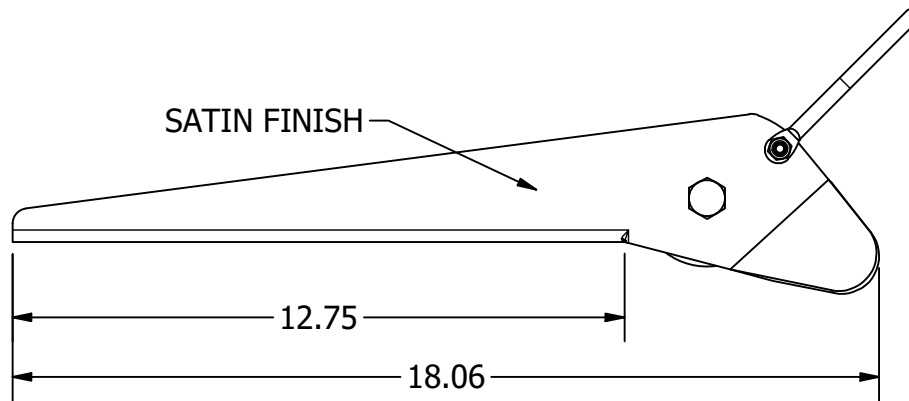


FOR REFERENCE ONLY

CLEARANCE FOR 5/16" FASTENERS
X4 (Ø.37)



SATIN FINISH



UNLESS OTHERWISE SPECIFIED:
BREAK ALL SHARP EDGES
DIMENSIONS ARE IN INCHES
TOLERANCES:
FRACTIONAL: $\pm 1/16$
DECIMAL: $X.X \pm .05$
 $X.XX \pm .01$
 $X.XXX \pm .005$
ANGULAR: $\pm 1^\circ$
FINISH: 120Ra

PROPRIETARY AND CONFIDENTIAL
THE INFORMATION CONTAINED IN THIS
DRAWING IS THE SOLE PROPERTY OF
WHITE WATER MARINE HARDWARE. ANY
REPRODUCTION IN PART OR AS A WHOLE
WITHOUT WRITTEN PERMISSION IS
PROHIBITED.



WHITE WATER
MARINE HARDWARE

TITLE
304SS STAMPED MEDIUM ANCHOR ROLLER
PART NUMBER: ARWU-04

SIZE A	DWG NO WWMH-ARWU-04 CC	REV 0
DRAWN KSR	DATE 8/2/2021	SCALE 1 : 4
MATERIAL		SHEET 1 OF 1