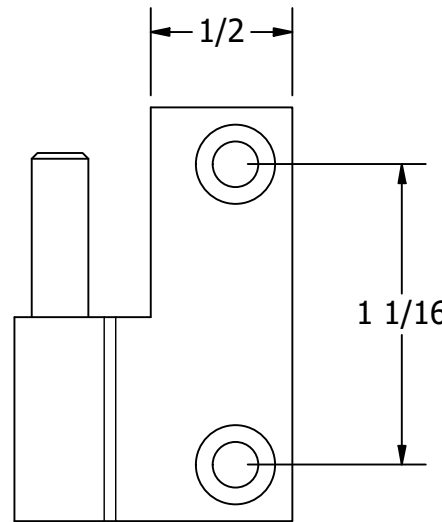
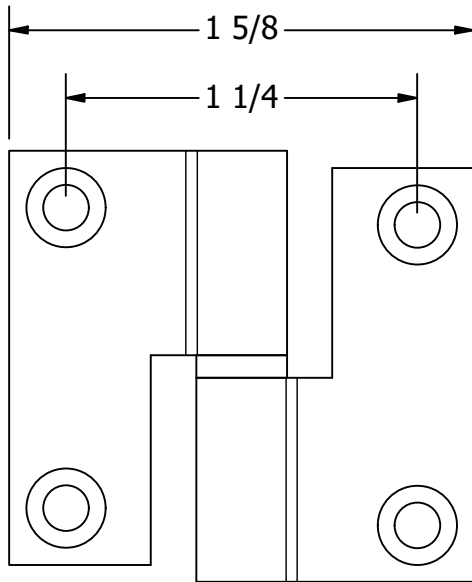


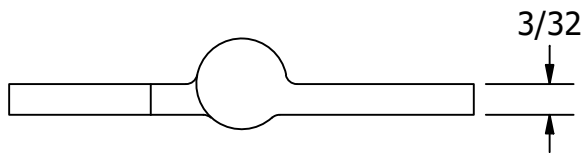
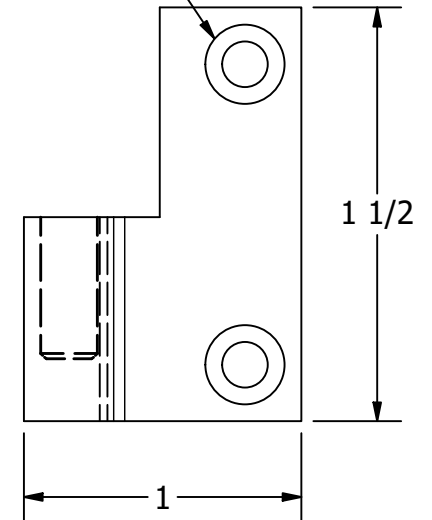
NOTES:

1. 316 STAINLESS STEEL
2. FINISH: HIGH POLISHED
3. SOLD BY THE PAIR

FOR REFERENCE ONLY



CLEARANCE FOR
#8 SCREWS



UNLESS OTHERWISE SPECIFIED:
BREAK ALL SHARP EDGES
DIMENSIONS ARE IN INCHES
TOLERANCES:
FRACTIONAL: $\pm 1/16$
DECIMAL: X.X $\pm .05$
 X.XX $\pm .01$
 X.XXX $\pm .005$
ANGULAR: $\pm 1^\circ$
FINISH: 120Ra



WHITE WATER
MARINE HARDWARE

TITLE

SMALL LIFT-OFF / TAKE APART HINGES

PART NUMBER: 2030HS-R

PROPRIETARY AND CONFIDENTIAL
THE INFORMATION CONTAINED IN THIS
DRAWING IS THE SOLE PROPERTY OF WHITE
WATER MARINE HARDWARE. ANY REPRODUCTION
IN PART OR AS A WHOLE WITHOUT WRITTEN
PERMISSION IS PROHIBITED.

SIZE
A

DRAWING NO.

WWMH-2030HS-R

REV
0

SCALE 1.5 : 1

DRAWN RC

DATE 12/2/2024

SHEET 1 OF 1