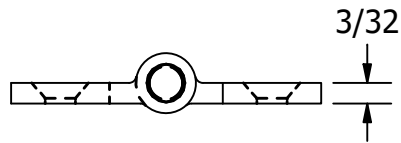
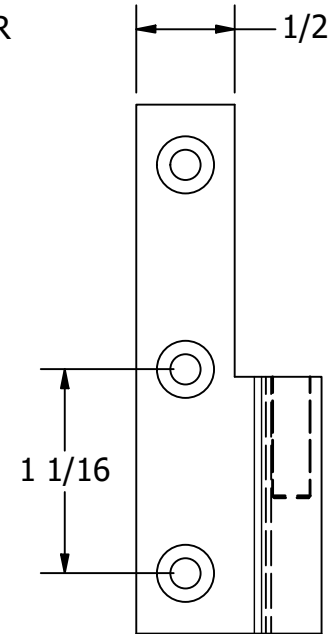
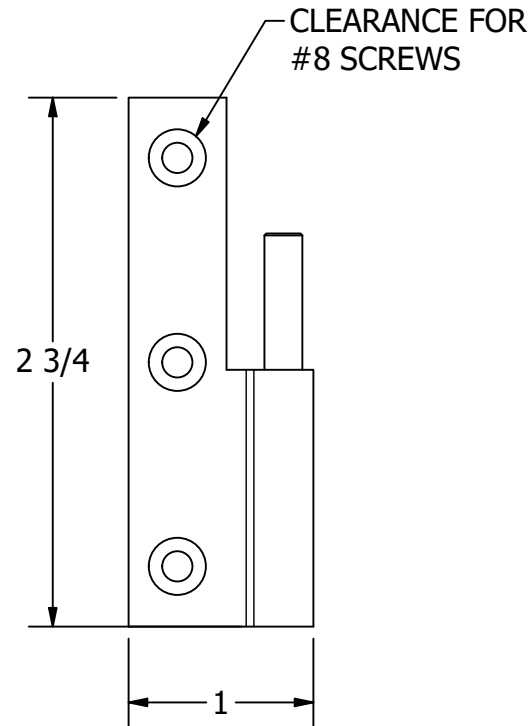
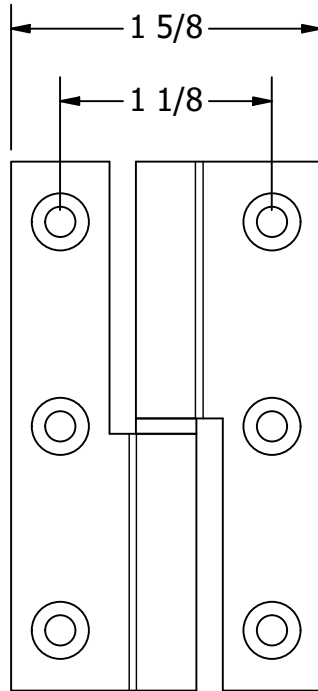


NOTES:

1. 316 STAINLESS STEEL
2. FINISH: HIGH POLISHED
3. SOLD BY THE PAIR

FOR REFERENCE ONLY



UNLESS OTHERWISE SPECIFIED:
 BREAK ALL SHARP EDGES
 DIMENSIONS ARE IN INCHES
 TOLERANCES:
 FRACTIONAL: $\pm 1/16$
 DECIMAL: X.X $\pm .05$
 X.XX $\pm .01$
 X.XXX $\pm .005$
 ANGULAR: $\pm 1^\circ$
 FINISH: 120Ra

PROPRIETARY AND CONFIDENTIAL
 THE INFORMATION CONTAINED IN THIS
 DRAWING IS THE SOLE PROPERTY OF WHITE
 WATER MARINE HARDWARE. ANY REPRODUCTION
 IN PART OR AS A WHOLE WITHOUT WRITTEN
 PERMISSION IS PROHIBITED.



WHITE WATER
 MARINE HARDWARE

TITLE
LONG LIFT-OFF / TAKE APART HINGES
PART NUMBER: 2034HS-L

SIZE A	DRAWING NO. WWMH-2034HS-L	REV 0
SCALE 1 : 1	DRAWN RC	DATE 12/3/2024
		SHEET 1 OF 1