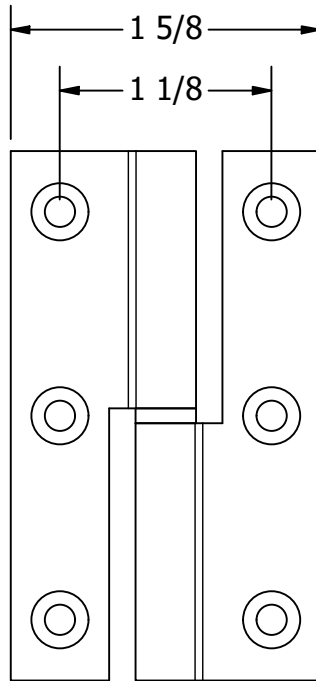


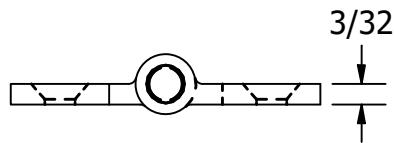
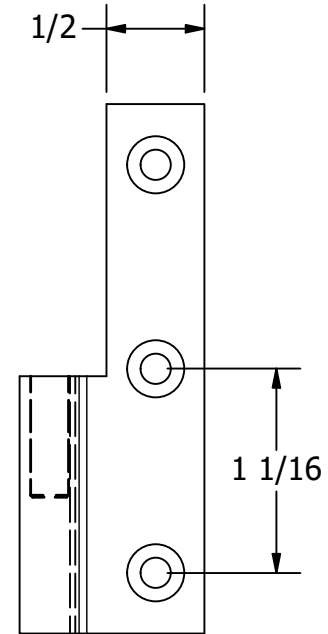
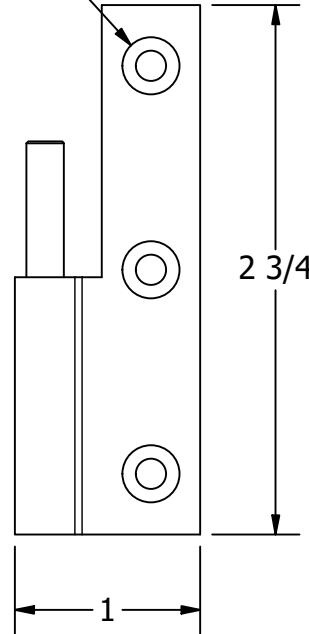
NOTES:

1. 316 STAINLESS STEEL
2. FINISH: HIGH POLISHED
3. SOLD BY THE PAIR

# FOR REFERENCE ONLY



CLEARANCE FOR  
#8 SCREWS



UNLESS OTHERWISE SPECIFIED:  
BREAK ALL SHARP EDGES  
DIMENSIONS ARE IN INCHES  
TOLERANCES:  
FRACTIONAL:  $\pm 1/16$   
DECIMAL: X.X  $\pm .05$   
          X.XX  $\pm .01$   
          X.XXX  $\pm .005$   
ANGULAR:  $\pm 1^\circ$   
FINISH: 120Ra



**WHITE WATER**  
MARINE HARDWARE

TITLE  
**LONG LIFT-OFF / TAKE APART HINGES**  
**PART NUMBER: 2034HS-R**

**PROPRIETARY AND CONFIDENTIAL**  
THE INFORMATION CONTAINED IN THIS  
DRAWING IS THE SOLE PROPERTY OF WHITE  
WATER MARINE HARDWARE. ANY REPRODUCTION  
IN PART OR AS A WHOLE WITHOUT WRITTEN  
PERMISSION IS PROHIBITED.

|                       |                                     |                            |
|-----------------------|-------------------------------------|----------------------------|
| SIZE<br><b>A</b>      | DRAWING NO.<br><b>WWMH-2034HS-R</b> | REV<br><b>0</b>            |
| SCALE<br><b>1 : 1</b> | DRAWN<br><b>RC</b>                  | DATE<br><b>12/2/2024</b>   |
|                       |                                     | SHEET <b>1</b> OF <b>1</b> |