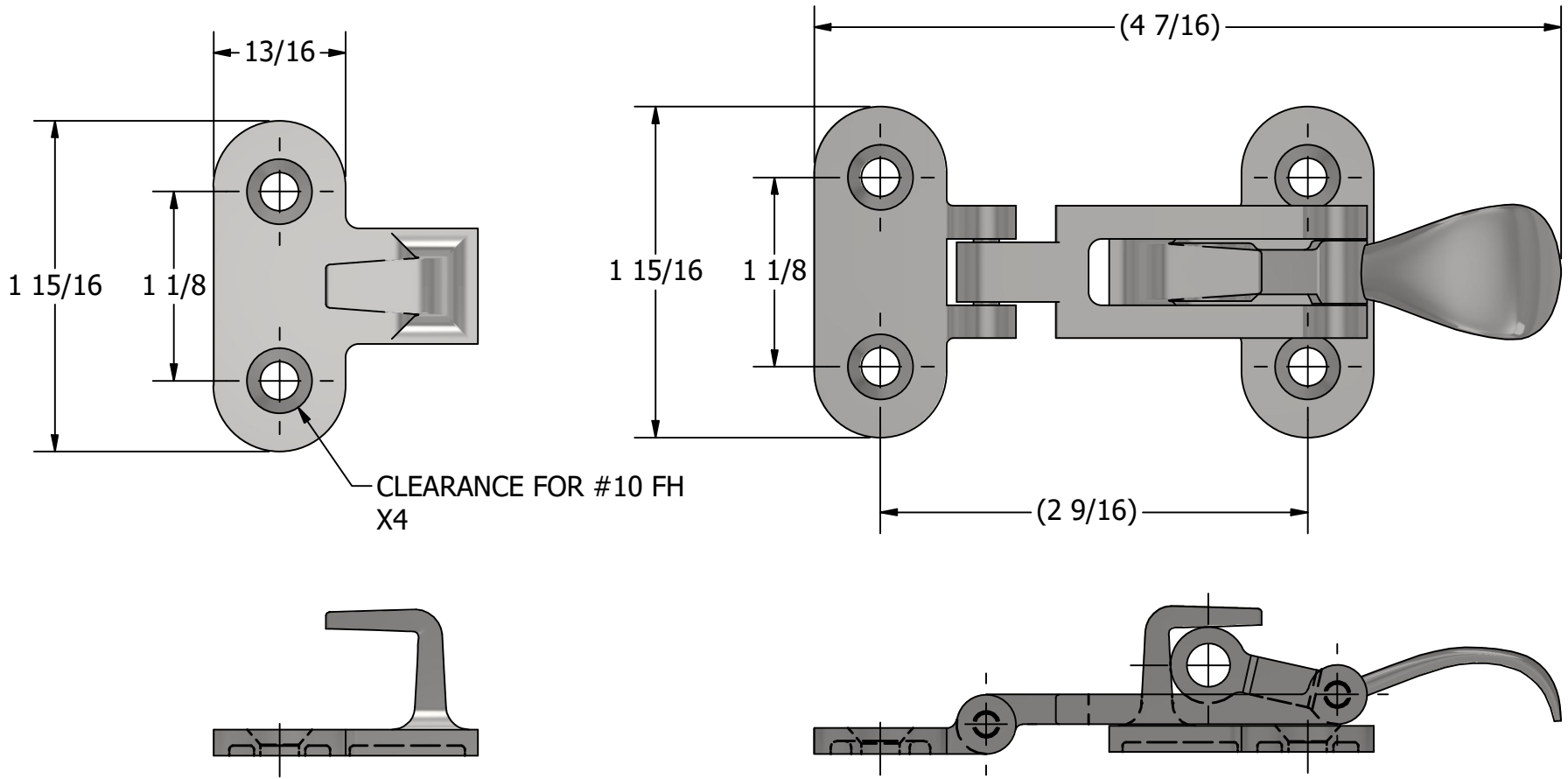


FOR REFERENCE ONLY



WHITE WATER
MARINE HARDWARE

TITLE
316 SS ANTI-RATTLE FASTENER HEAVY DUTY
PART NUMBER: 2066SS

PROPRIETARY AND CONFIDENTIAL
THE INFORMATION CONTAINED IN THIS
DRAWING IS THE SOLE PROPERTY OF WHITE
WATER MARINE HARDWARE. ANY REPRODUCTION
IN PART OR AS A WHOLE WITHOUT WRITTEN
PERMISSION IS PROHIBITED.

SIZE A	DRAWING NO. WWMH-2066SS CC	REV 0
SCALE 1 : 1	DRAWN RC	DATE 11/25/2024
		SHEET 1 OF 1