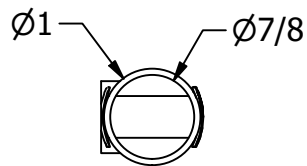
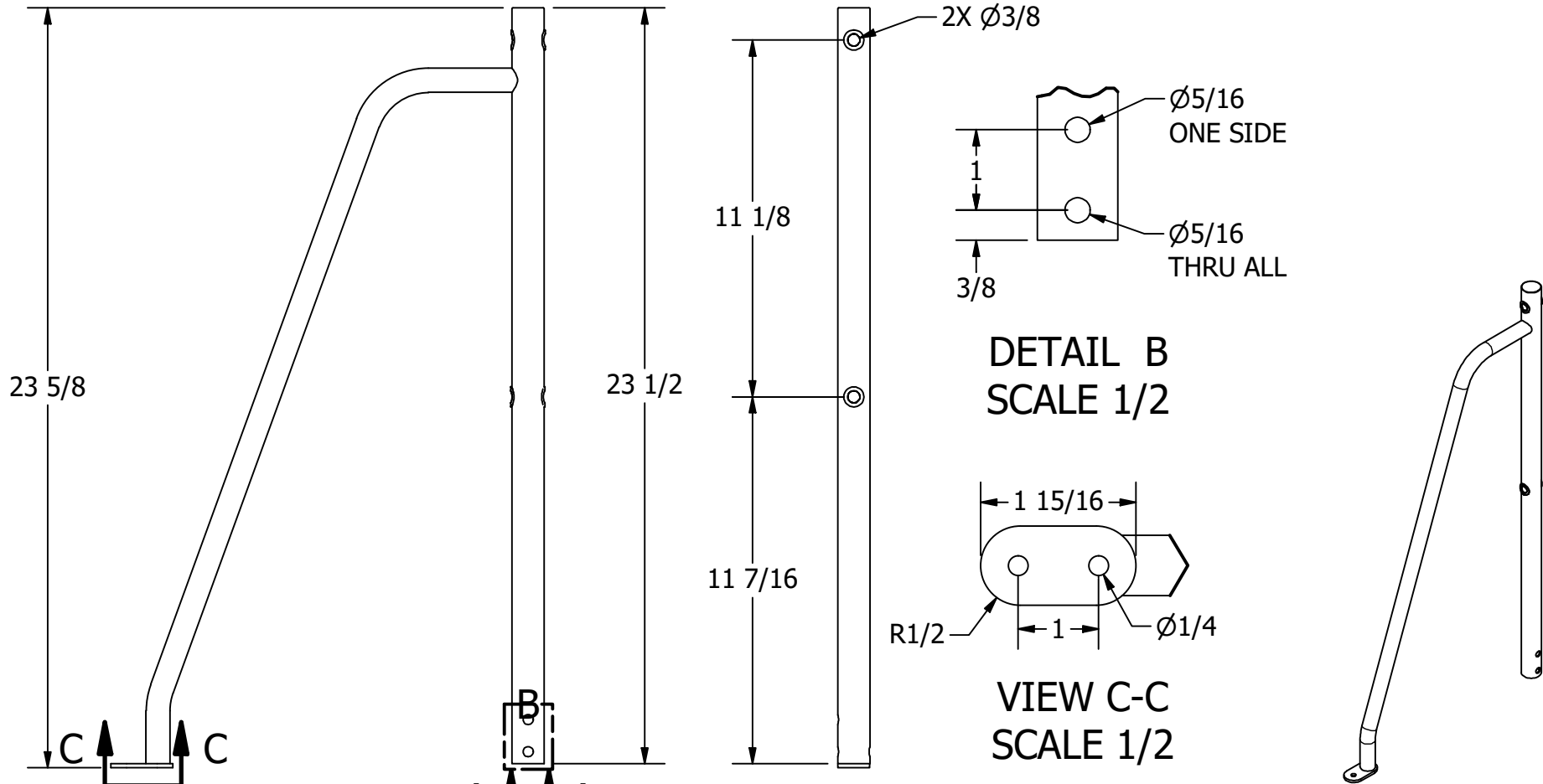


# FOR REFERENCE ONLY

NOTE:  
304 STAINLESS STEEL  
HIGH POLISH FINISH



VIEW A-A  
SCALE 1/2

UNLESS OTHERWISE SPECIFIED:  
BREAK ALL SHARP EDGES  
DIMENSIONS ARE IN INCHES  
TOLERANCES:  
FRACTIONAL:  $\pm 1/16$   
DECIMAL: X.X  $\pm .05$   
          X.XX  $\pm .01$   
          X.XXX  $\pm .005$   
ANGULAR:  $\pm 1^\circ$   
FINISH: 120Ra

**PROPRIETARY AND CONFIDENTIAL**  
THE INFORMATION CONTAINED IN THIS  
DRAWING IS THE SOLE PROPERTY OF WHITE  
WATER MARINE HARDWARE. ANY REPRODUCTION  
IN PART OR AS A WHOLE WITHOUT WRITTEN  
PERMISSION IS PROHIBITED.



**WHITE WATER**  
MARINE HARDWARE

TITLE  
**STAINLESS GATE STANCHION**  
PART NUMBER: 6017SR

SIZE <b>A</b>	DRAWING NO. <b>WWMH-6017SR</b>	REV <b>0</b>
SCALE <b>1/5</b>	DRAWN <b>RC</b>	DATE <b>9/30/2024</b>
		SHEET <b>1</b> OF <b>1</b>