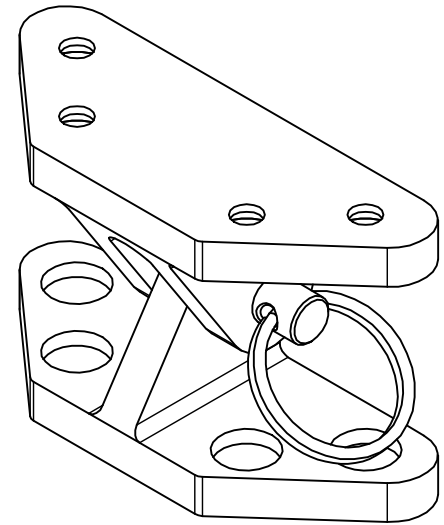
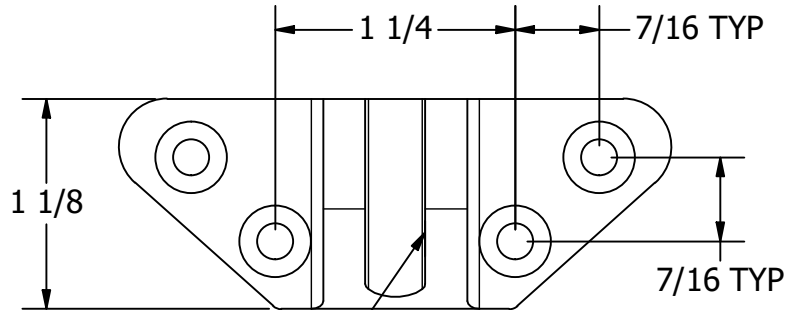
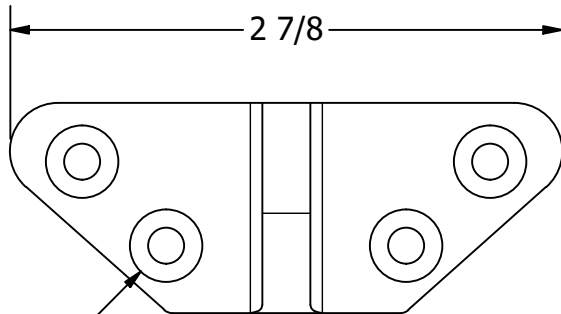


NOTES
 316 STAINLESS STEEL
 HIGH POLISH
 SOLD BY THE PAIR

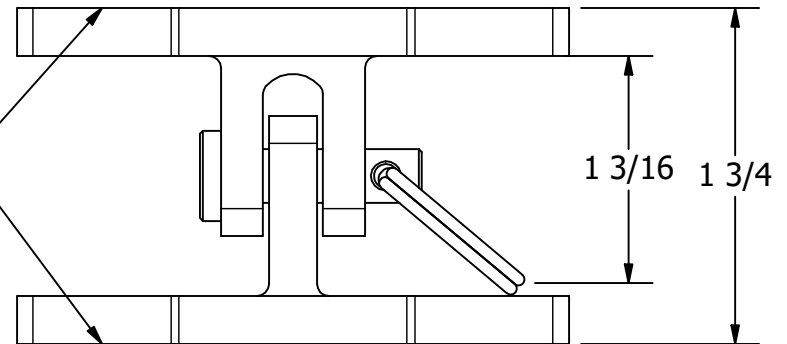
FOR REFERENCE ONLY



NO POLISH ON
 INSIDE FACES



NO POLISH ON
 TOP AND BOTTOM
 FACES



CLEARANCE FOR
 #10 SCREWS
 X8

UNLESS OTHERWISE SPECIFIED:
 BREAK ALL SHARP EDGES
 DIMENSIONS ARE IN INCHES
 TOLERANCES:
 FRACTIONAL: $\pm 1/16$
 DECIMAL: X.X $\pm .05$
 X.XX $\pm .03$
 X.XXX $\pm .010$
 ANGULAR: $\pm 3^\circ$
 FINISH: 120Ra



WHITE WATER
 MARINE HARDWARE

TITLE
HATCH HINGE
PART NUMBER: 6082S

PROPRIETARY AND CONFIDENTIAL
 THE INFORMATION CONTAINED IN THIS
 DRAWING IS THE SOLE PROPERTY OF WHITE
 WATER MARINE HARDWARE. ANY REPRODUCTION
 IN PART OR AS A WHOLE WITHOUT WRITTEN
 PERMISSION IS PROHIBITED.

SIZE A	DRAWING NO. WWMH-6082S	REV 0
SCALE 1	DRAWN RC	DATE 10/10/2025
		SHEET 1 OF 1