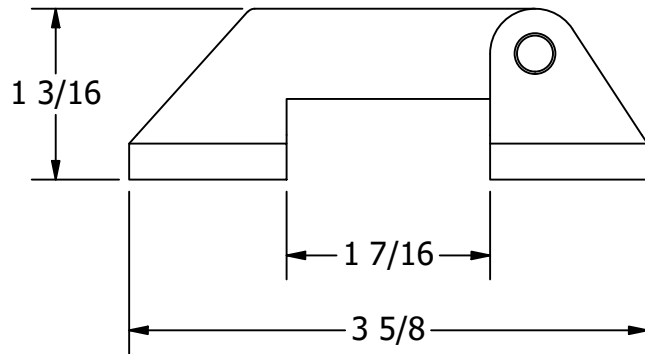
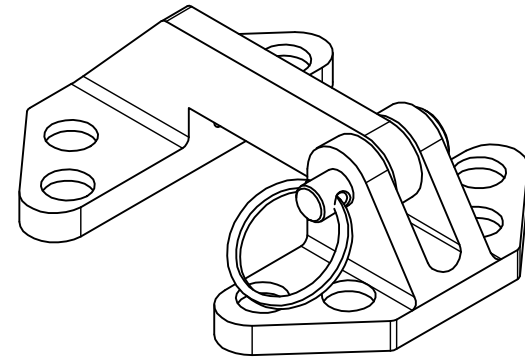
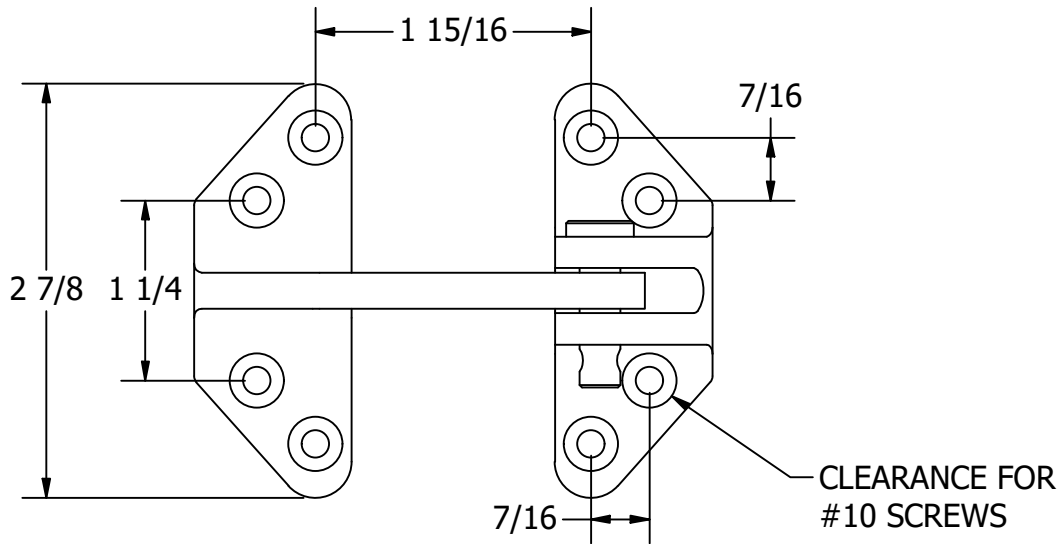


NOTE:
SOLD BY THE
PAIR

FOR REFERENCE ONLY



UNLESS OTHERWISE SPECIFIED:
BREAK ALL SHARP EDGES
DIMENSIONS ARE IN INCHES
TOLERANCES:
FRACTIONAL: $\pm \frac{1}{16}$
DECIMAL: X.X $\pm .05$
 X.XX $\pm .01$
 X.XXX $\pm .005$
ANGULAR: $\pm 1^\circ$
FINISH: 120Ra

PROPRIETARY AND CONFIDENTIAL
THE INFORMATION CONTAINED IN THIS
DRAWING IS THE SOLE PROPERTY OF WHITE
WATER MARINE HARDWARE. ANY REPRODUCTION
IN PART OR AS A WHOLE WITHOUT WRITTEN
PERMISSION IS PROHIBITED.



WHITE WATER
MARINE HARDWARE

TITLE			
LONG REACH STAINLESS HATCH HINGE			
PART NUMBER: 6084S			
SIZE	DRAWING NO.		REV
A	WWMH-6084S		0
SCALE	DRAWN	DATE	SHEET 1 OF 1
3/4	RC	11/6/2024	