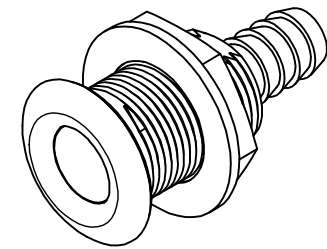
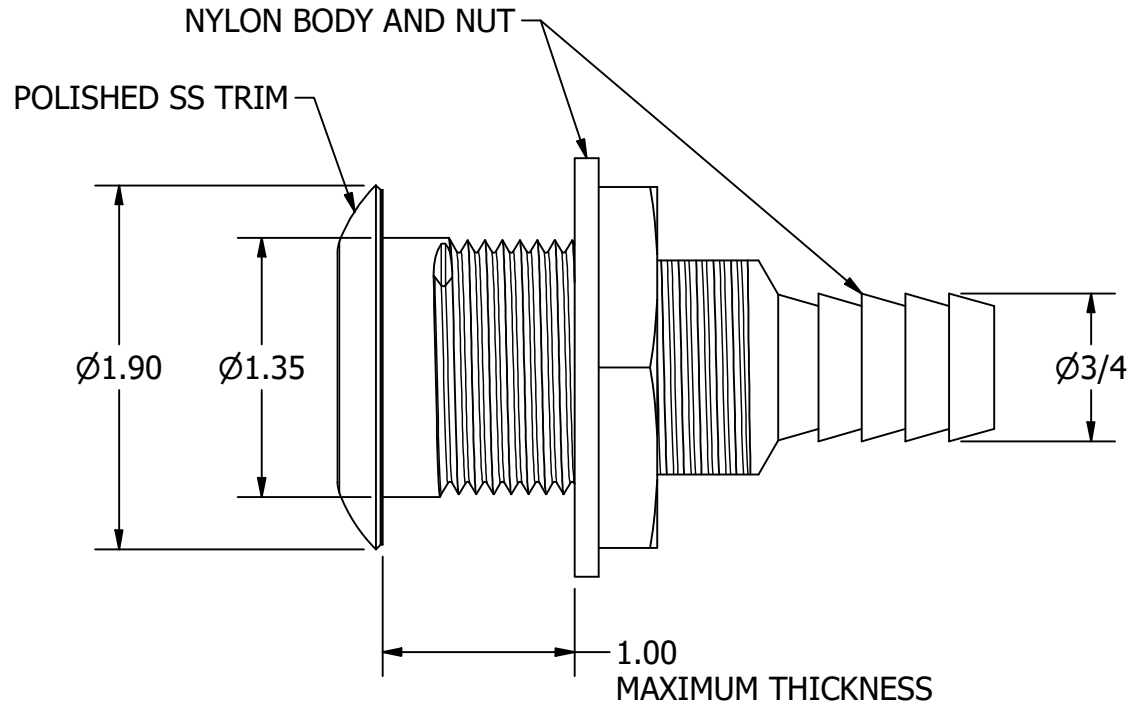


FOR REFERENCE ONLY



SCALE 1 : 2

		WHITE WATER MARINE HARDWARE	
		TITLE NYLON THRU HULL WITH SS TRIM - 3/4" PART NUMBER: 6651N	
SIZE A		DWG NO WWMH-6651N CC	REV 0
SCALE 1 : 1	MATERIAL	SHEET 1 OF 1	