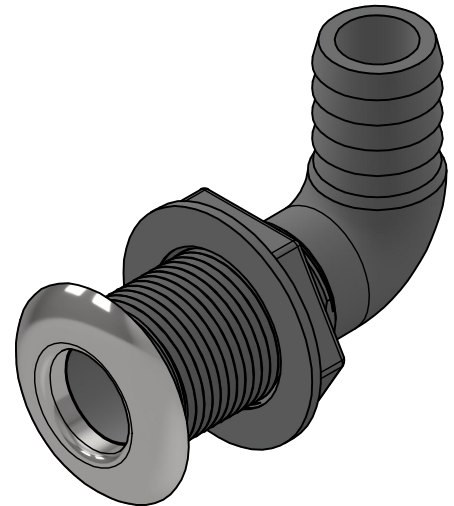
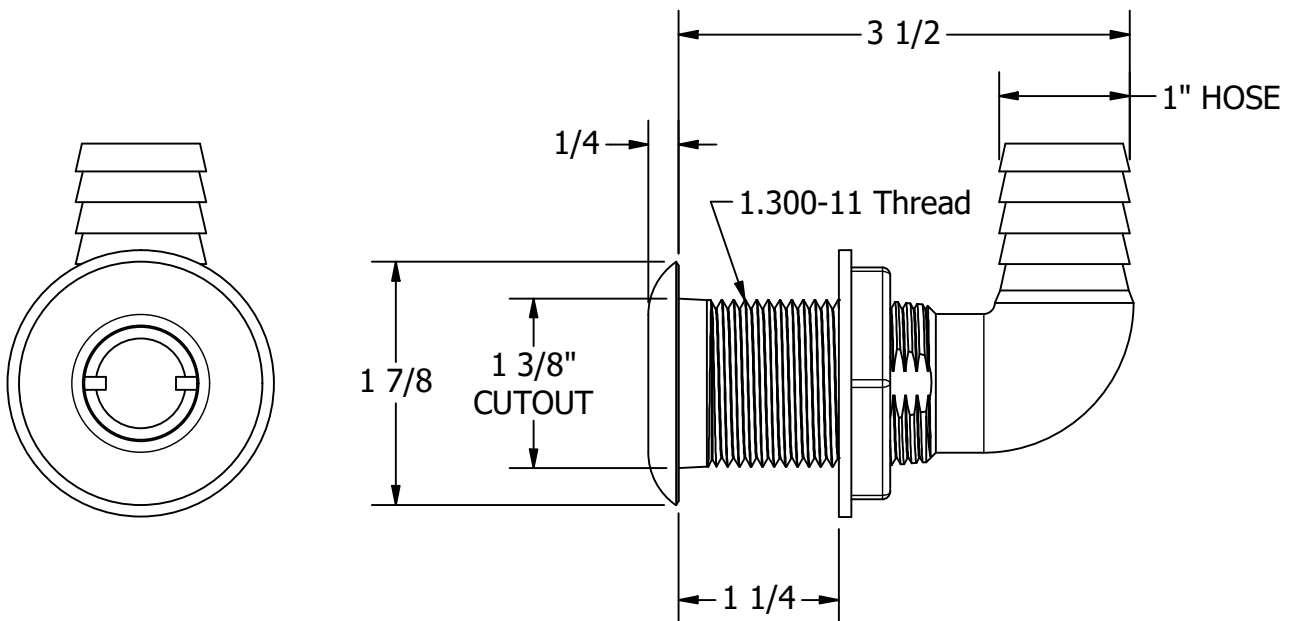



REVISION HISTORY		
REV	DESCRIPTION	DATE
1	1.300-11 THREAD WAS 1.325-11	4/13/23
2	ECN 1000	5/1/23



FOR REFERENCE ONLY

		WHITE WATER MARINE HARDWARE	
TITLE 90 DEGREE NYLON THRU-HULL W/ SS TRIM PART NUMBER: 6652N2-90			
SIZE A	DWG NO WWMH-6652N2-90 CC	REV 2	
SCALE 2 : 3	MATERIAL	SHEET 1 OF 1	