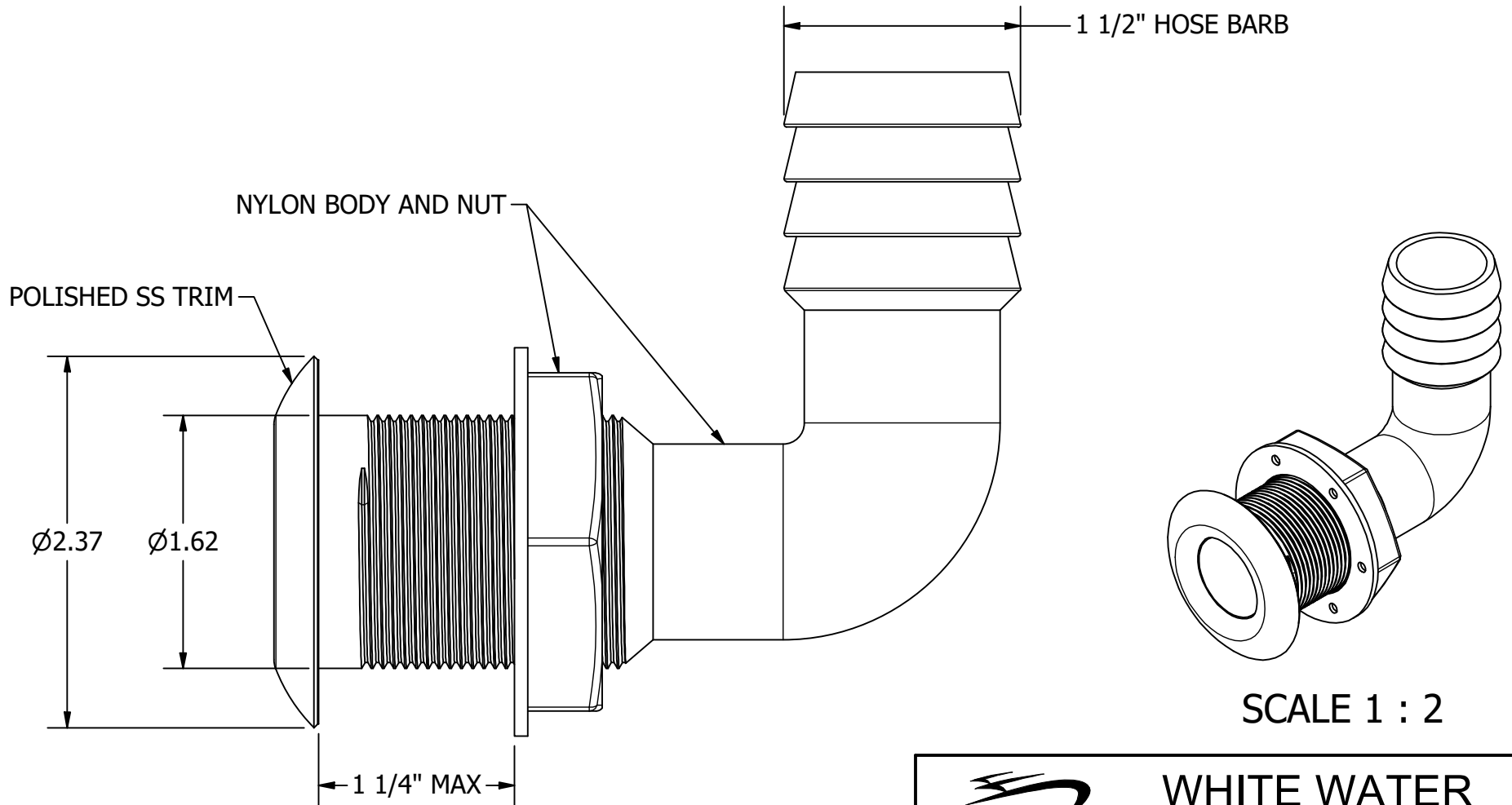


FOR REFERENCE ONLY



SCALE 1 : 2

		WHITE WATER MARINE HARDWARE	
		TITLE NYLON 90 DEG THRU HULL WITH SS TRIM PART NUMBER: 6655N-90	
SIZE A		DWG NO WWMH-6655N-90 CC	REV 0
SCALE 1 : 1	MATERIAL	SHEET 1 OF 1	