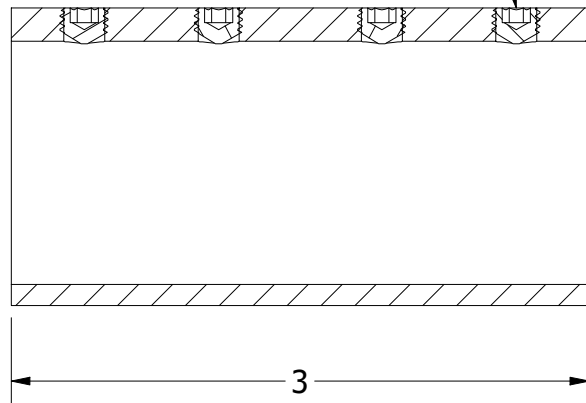
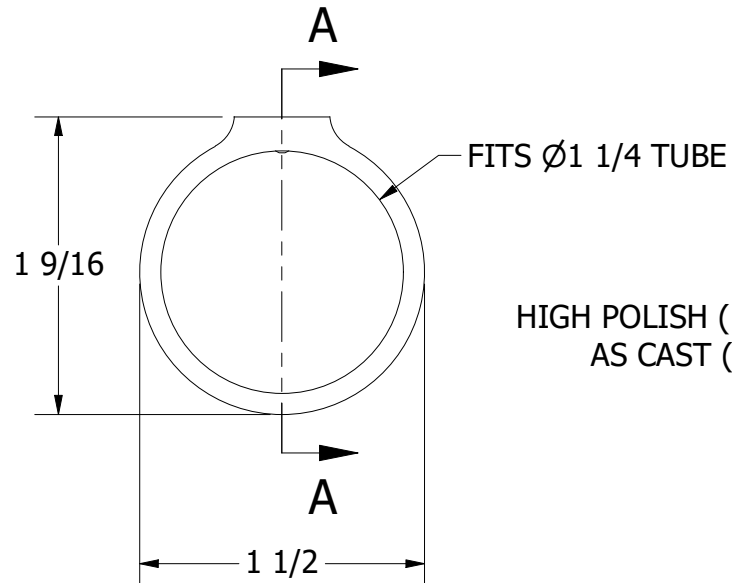


FOR REFERENCE ONLY

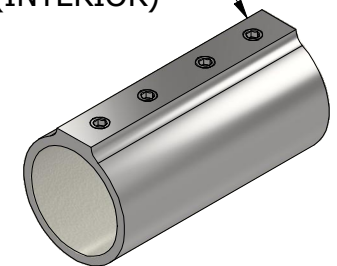
1/4-28 UNF CONE POINT SET SCREW



SECTION A-A



FINISH:
HIGH POLISH (EXTERIOR)
AS CAST (INTERIOR)



SCALE 1 : 2



WHITE WATER
MARINE HARDWARE

TITLE
316SS HEAVY DUTY TUBE CONNECTOR, 1-1/4" X 3"
PART NUMBER: 6898S (RD188)

PROPRIETARY AND CONFIDENTIAL
THE INFORMATION CONTAINED IN THIS
DRAWING IS THE SOLE PROPERTY OF WHITE
WATER MARINE HARDWARE. ANY REPRODUCTION
IN PART OR AS A WHOLE WITHOUT WRITTEN
PERMISSION IS PROHIBITED.

SIZE A	DRAWING NO. WWMH-6898S CC	REV 0
SCALE 1 : 1	DRAWN KSR	DATE 2/1/2022
		SHEET 1 OF 1