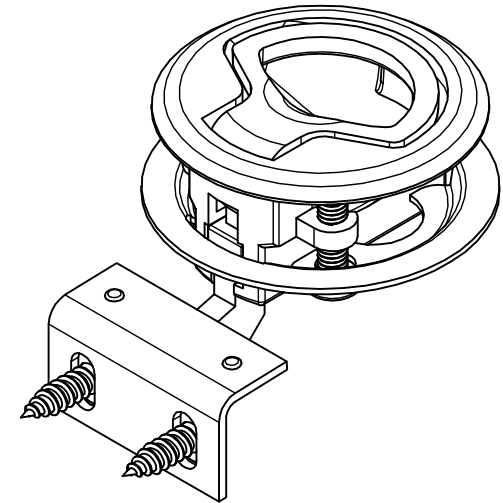
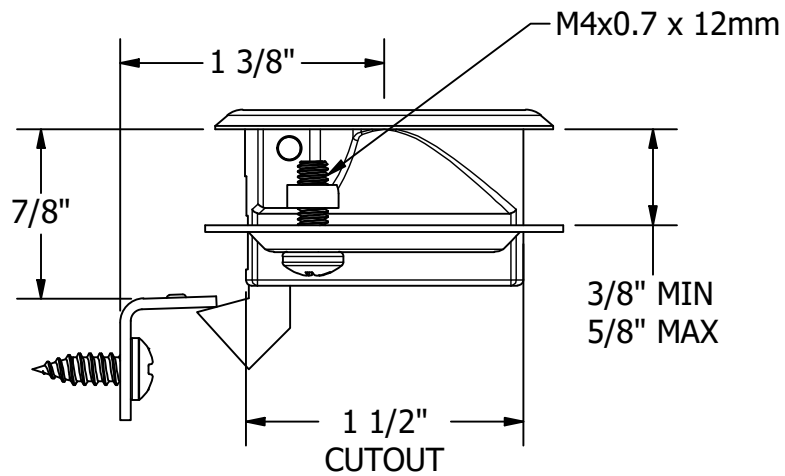
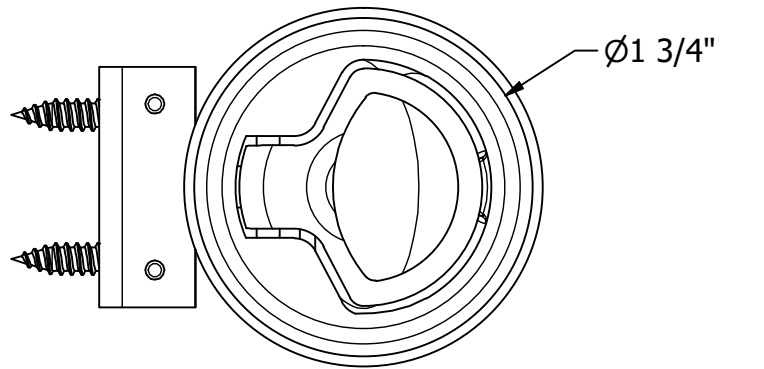


FOR REFERENCE ONLY

REVISION HISTORY		
REV	DESCRIPTION	DATE
1	M4 SCREWS WERE 10MM LONG	1/6/22



WHITE WATER
MARINE HARDWARE

TITLE
316SS CAST SLAM LATCH - 1-3/4"
PART NUMBER: 7111S

SIZE A	DWG NO WWMH-7111S CC	REV 1
SCALE 1 : 1	MATERIAL	SHEET 1 OF 1