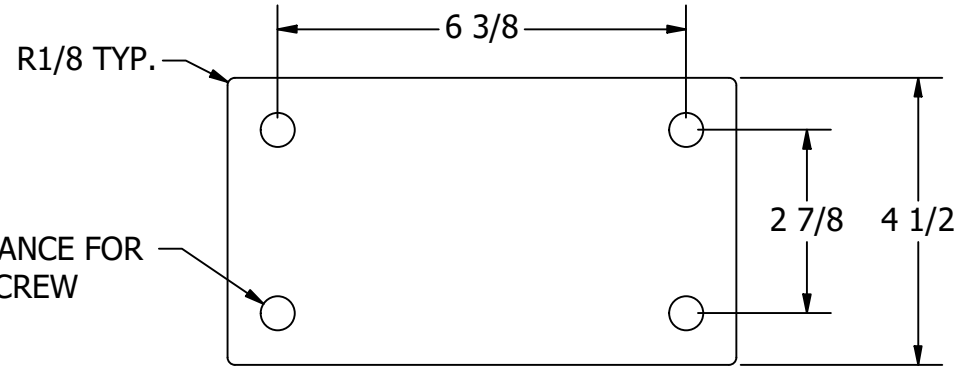
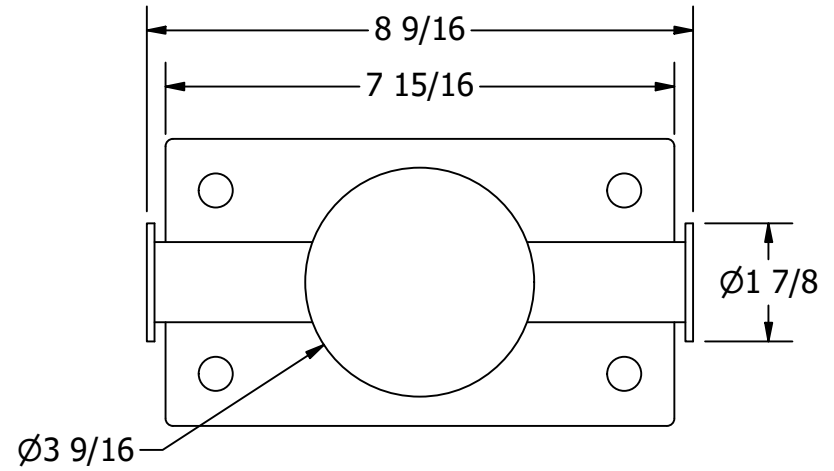
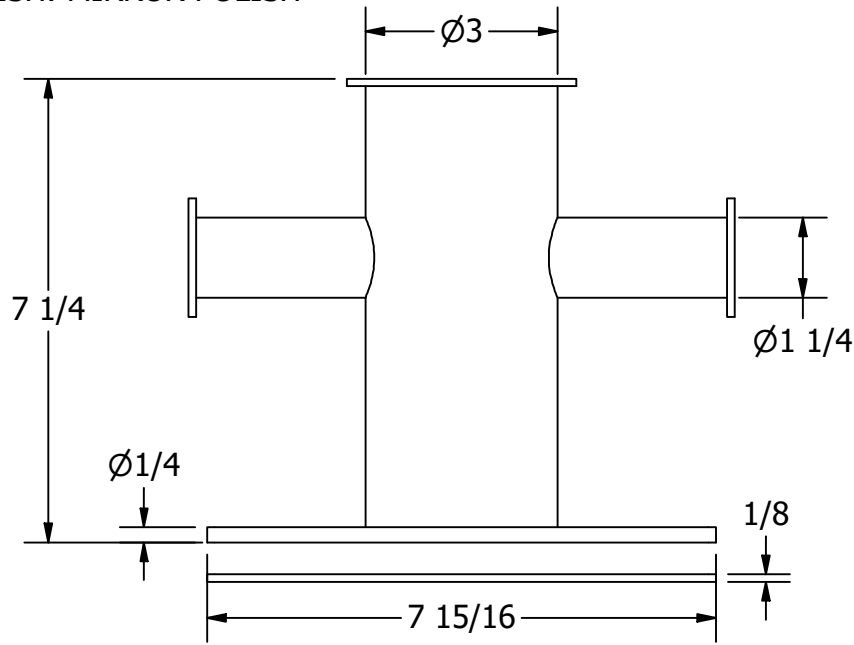
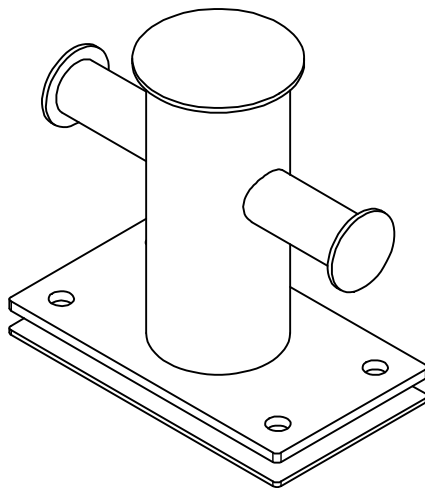


NOTES:
 304 STAINLESS STEEL
 FINISH: MIRROR POLISH

FOR REFERENCE ONLY



BASE PLATE



UNLESS OTHERWISE SPECIFIED:
 BREAK ALL SHARP EDGES
 DIMENSIONS ARE IN INCHES
 TOLERANCES:
 FRACTIONAL: $\pm 1/16$
 DECIMAL: X.X $\pm .05$
 X.XX $\pm .01$
 X.XXX $\pm .005$
 ANGULAR: $\pm 1^\circ$
 FINISH: 120Ra

PROPRIETARY AND CONFIDENTIAL
 THE INFORMATION CONTAINED IN THIS
 DRAWING IS THE SOLE PROPERTY OF WHITE
 WATER MARINE HARDWARE. ANY REPRODUCTION
 IN PART OR AS A WHOLE WITHOUT WRITTEN
 PERMISSION IS PROHIBITED.



WHITE WATER
 MARINE HARDWARE

TITLE
MOORING BITT
PART NUMBER: 7566S

| | | |
|---------------------|----------------------------------|----------------------------|
| SIZE A | DRAWING NO. WWMH-7566S | REV 0 |
| SCALE 1/3 | DRAWN RC | DATE 11/22/2024 |
| | | SHEET 1 OF 1 |