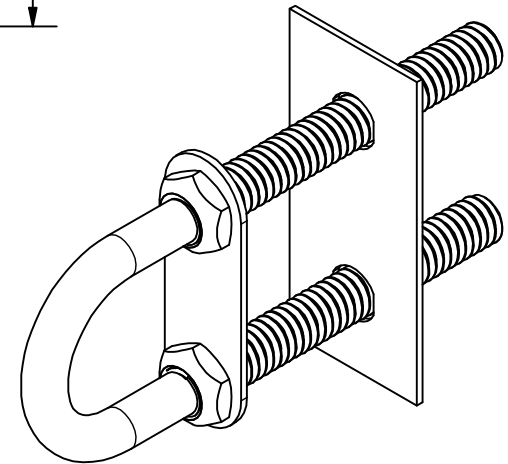
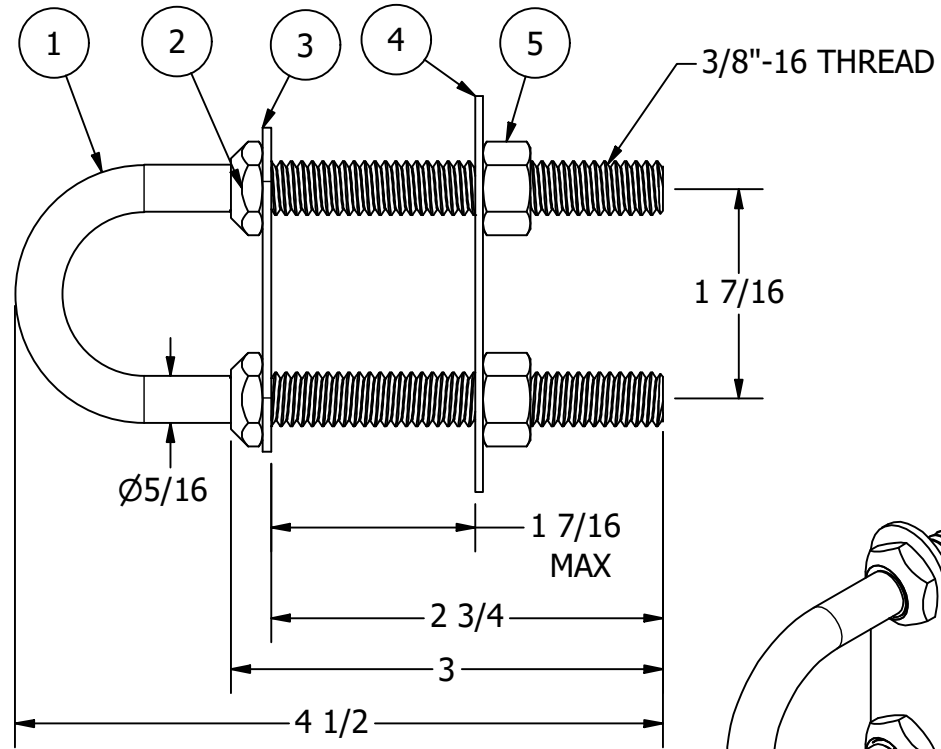
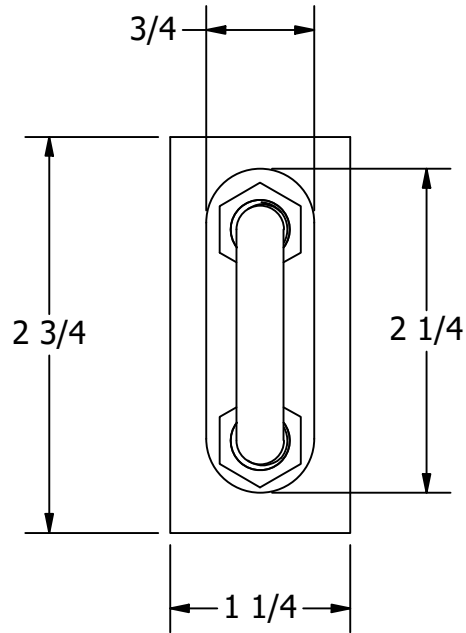


NOTES
 304 STAINLESS STEEL
 HIGH POLISH FINISH


FOR REFERENCE ONLY



PARTS LIST		
ITEM	QTY	DESCRIPTION
1	1	5/16" U-BOLT, 4 1/2"
2	2	THIN NUT 3/8-16
3	1	EXTERIOR SUPPORT PLATE
4	1	INTERIOR SUPPORT PLATE
5	2	HEX NUT 3/8-16

UNLESS OTHERWISE SPECIFIED:
 BREAK ALL SHARP EDGES
 DIMENSIONS ARE IN INCHES
 TOLERANCES:
 FRACTIONAL: $\pm 1/16$
 DECIMAL: X.X $\pm .05$
 X.XX $\pm .03$
 X.XXX $\pm .010$
 ANGULAR: $\pm 3^\circ$
 FINISH: 120Ra

PROPRIETARY AND CONFIDENTIAL
 THE INFORMATION CONTAINED IN THIS
 DRAWING IS THE SOLE PROPERTY OF WHITE
 WATER MARINE HARDWARE. ANY REPRODUCTION
 IN PART OR AS A WHOLE WITHOUT WRITTEN
 PERMISSION IS PROHIBITED.



WHITE WATER
 MARINE HARDWARE

TITLE

STERN EYE 3/8", 3" THREAD LENGTH
PART NUMBER: 7850S-S

SIZE A	DRAWING NO. WWMH-7850S-S	REV 0
SCALE 3/4	DRAWN RC	DATE 10/10/2025

SHEET 1 OF 1