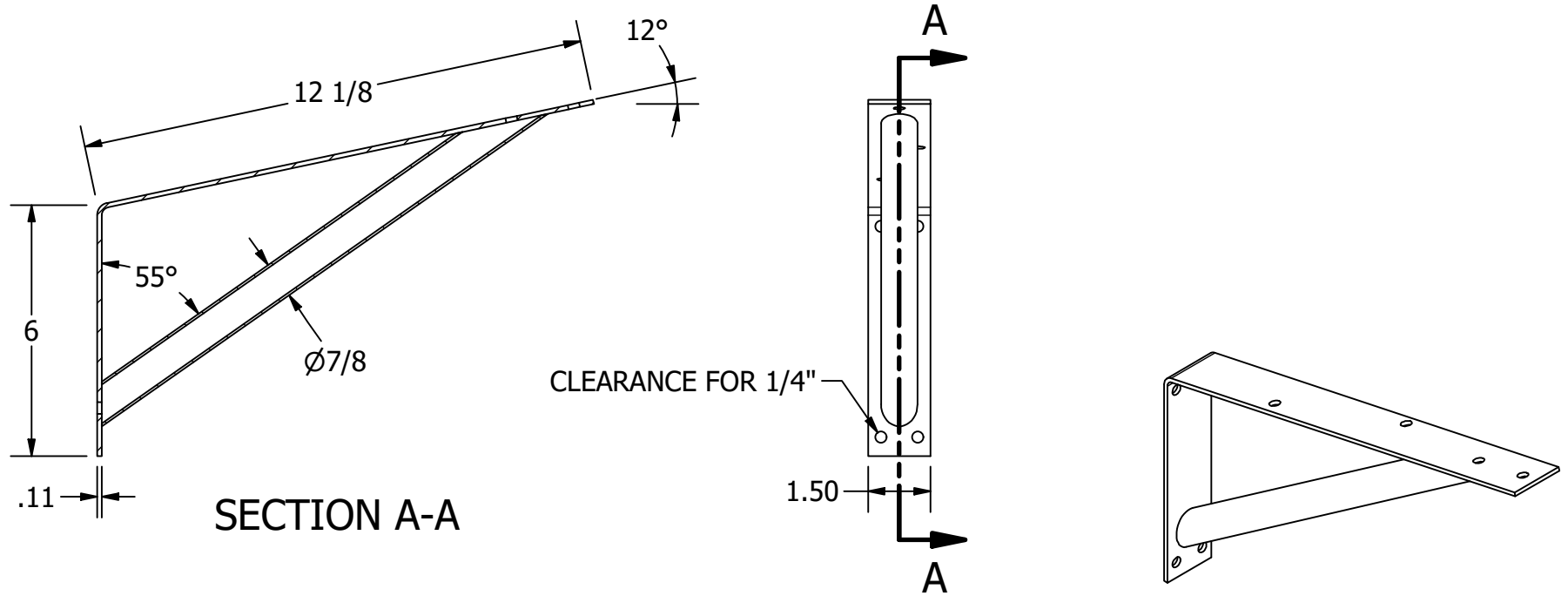


Notes:

1. Platform MUST be securely fastened independent of brackets to support resulting forces pulling away from transom. See Installation Guide.



FOR REFERENCE ONLY

		WHITE WATER MARINE HARDWARE	
		TITLE PLATFORM MOUNTING BRACKET, 6", 12DEG PART NUMBER: 7990S	
SIZE A		DWG NO WWMH-7990S CC	REV 0
SCALE 1 : 4	MATERIAL Stainless Steel	SHEET 1 OF 1	