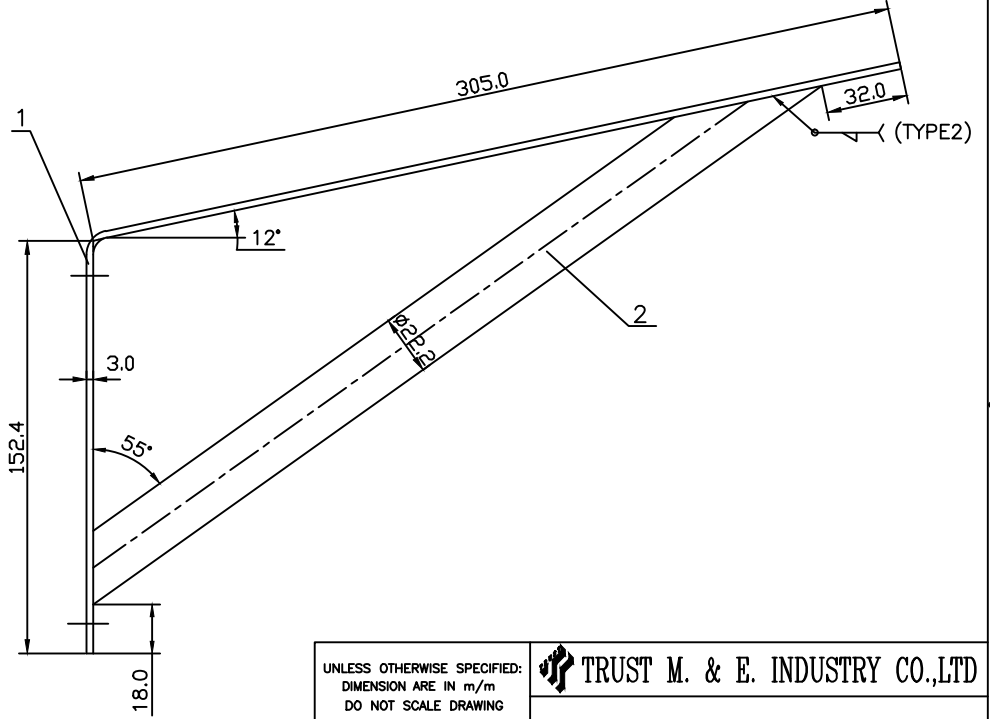
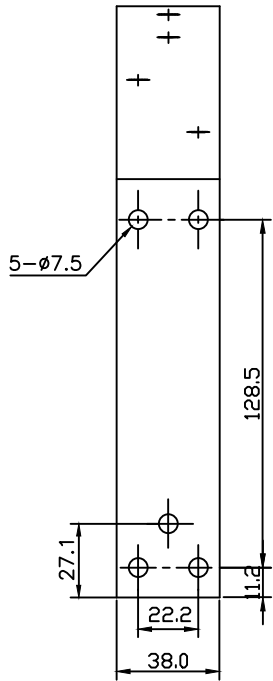
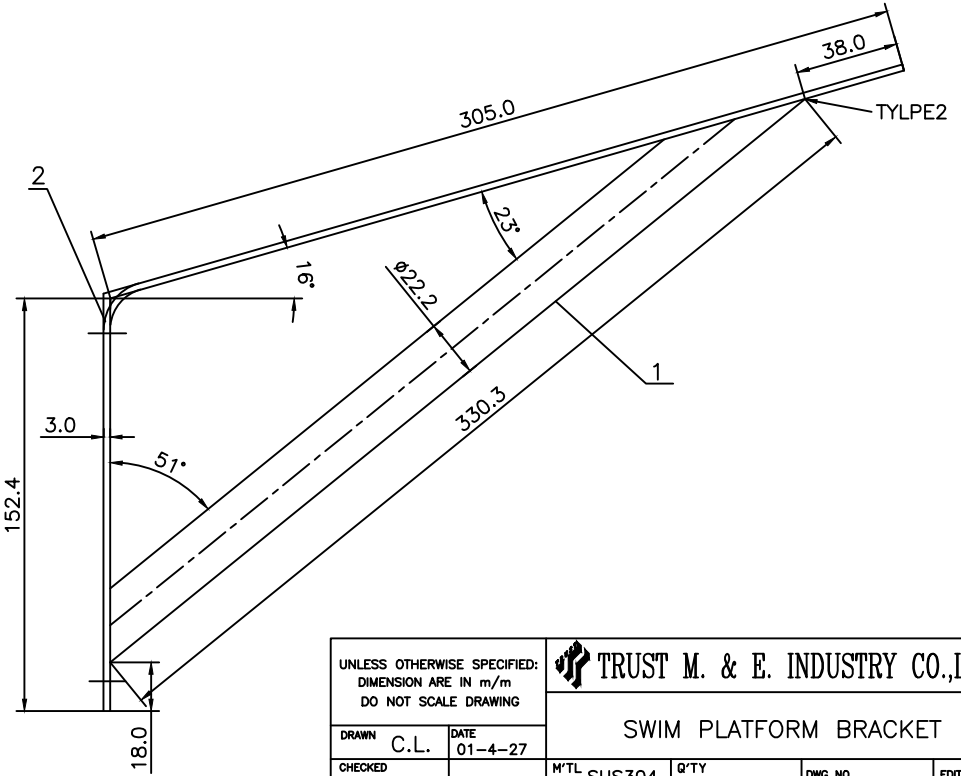
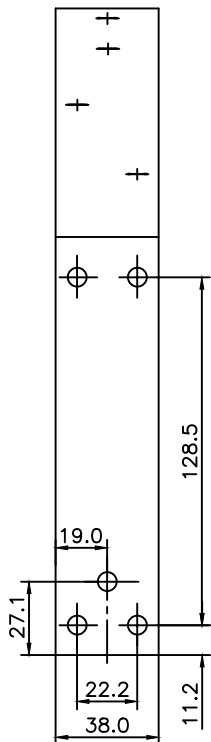


REVISIONS				
ZONE	LTR	DESCRIPTION	DATE	APPROVED



UNLESS OTHERWISE SPECIFIED: DIMENSION ARE IN m/m DO NOT SCALE DRAWING		<b>TRUST M. &amp; E. INDUSTRY CO.,LTD</b>			
<b>SWIM PLATFORM BRACKET</b>					
DRAWN	C.L.	DATE	01-4-27	M'TL	SUS304
CHECKED		Q'TY		DWG NO.	7990S
APPROVED		W.T.	g	FINISH	A0
PROJECTION		SCALE	RELEASE DATE	SHEET	OF

REVISIONS				
ZONE	LTR	DESCRIPTION	DATE	APPROVED



UNLESS OTHERWISE SPECIFIED: DIMENSION ARE IN m/m DO NOT SCALE DRAWING		<b>TRUST M. &amp; E. INDUSTRY CO.,LTD</b>			
<b>SWIM PLATFORM BRACKET</b>					
DRAWN	C.L.	DATE	01-4-27	M'TL	SUS304
CHECKED		Q'TY		DWG NO.	7991S
APPROVED		W.T.	g	FINISH	A0
PROJECTION		SCALE	RELEASE DATE	SHEET	OF