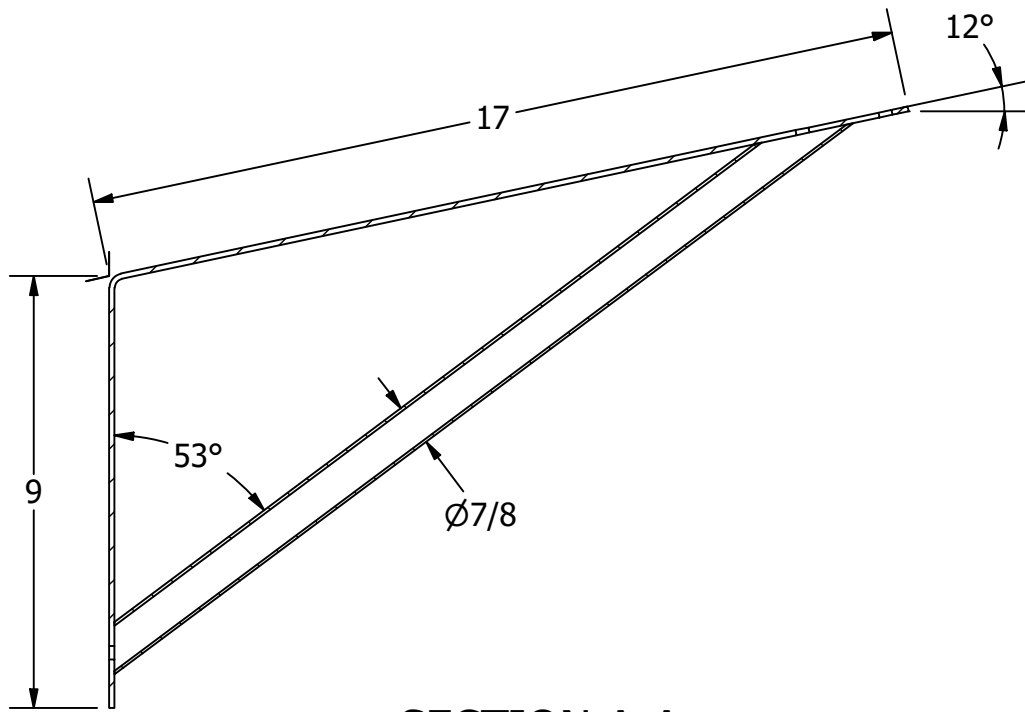
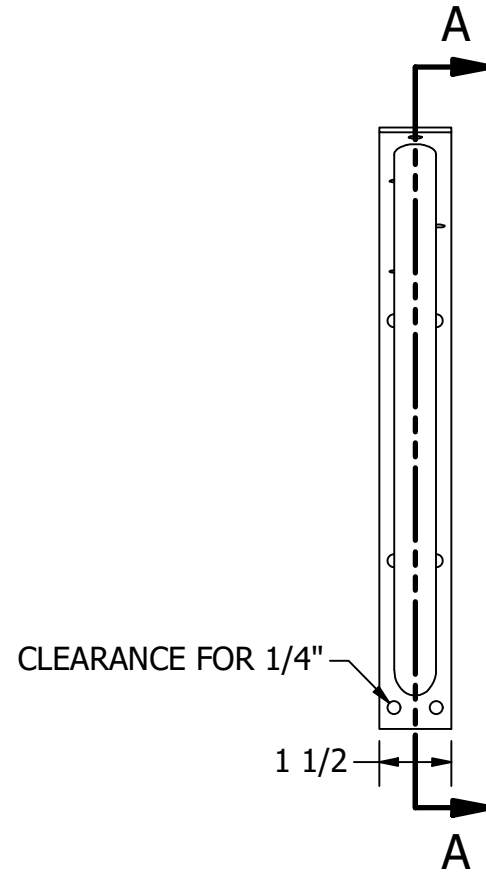


FOR REFERENCE ONLY

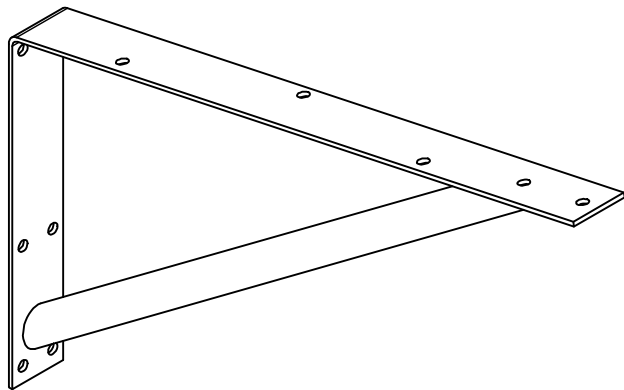


SECTION A-A



Notes:

1. Platform **MUST** be securely fastened independent of brackets to support resulting forces pulling away from transom. See Installation Guide.



UNLESS OTHERWISE SPECIFIED:
 BREAK ALL SHARP EDGES
 DIMENSIONS ARE IN INCHES
 TOLERANCES:
 FRACTIONAL: $\pm 1/16$
 DECIMAL: X.X $\pm .05$
 X.XX $\pm .01$
 X.XXX $\pm .005$
 ANGULAR: $\pm 1^\circ$
 FINISH: 120Ra

PROPRIETARY AND CONFIDENTIAL
 THE INFORMATION CONTAINED IN THIS
 DRAWING IS THE SOLE PROPERTY OF WHITE
 WATER MARINE HARDWARE. ANY REPRODUCTION
 IN PART OR AS A WHOLE WITHOUT WRITTEN
 PERMISSION IS PROHIBITED.



WHITE WATER
 MARINE HARDWARE

TITLE
SWIM PLATFORM MOUNTING BRACKET
 PART NUMBER: 7992S

SIZE A	DRAWING NO. WWMH-7992S	REV 0
SCALE 1/4	DRAWN RC	DATE 8/7/2024
		SHEET 1 OF 1