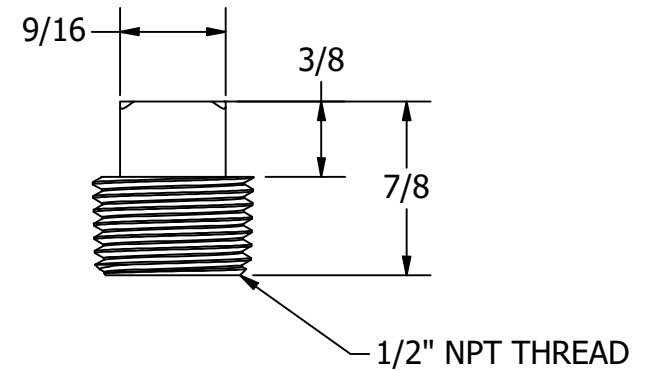
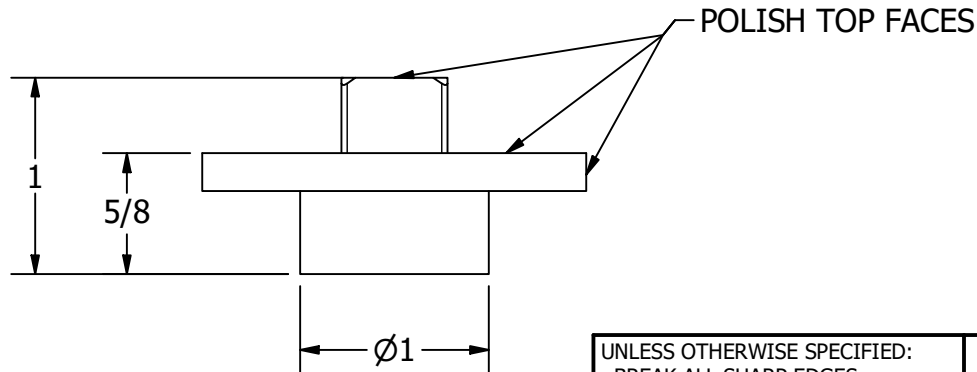
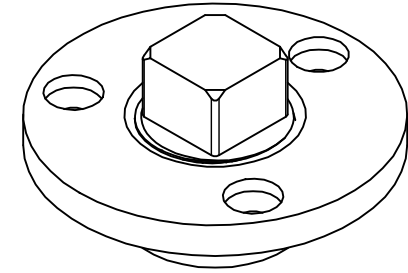
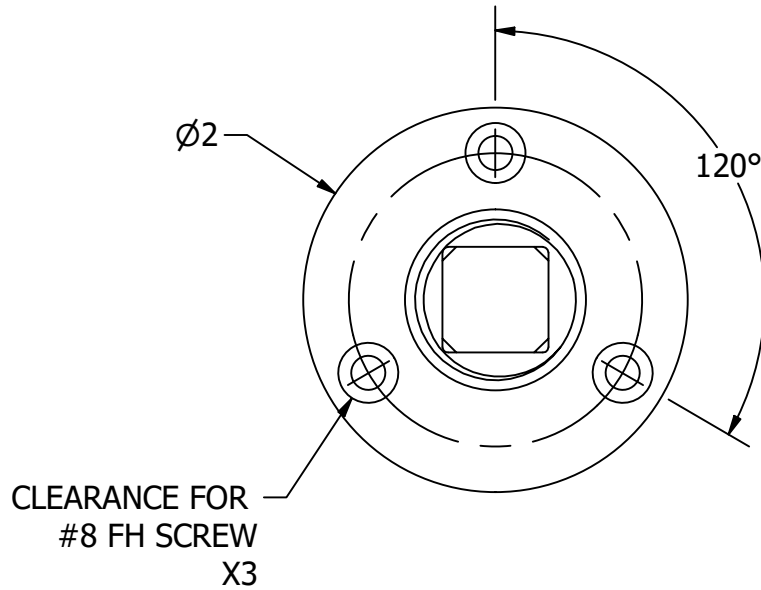


NOTES
BRASS CAST
MIRROR POLISH

FOR REFERENCE ONLY



UNLESS OTHERWISE SPECIFIED:
BREAK ALL SHARP EDGES
DIMENSIONS ARE IN INCHES
TOLERANCES:
FRACTIONAL: $\pm 1/16$
DECIMAL: X.X $\pm .05$
 X.XX $\pm .03$
 X.XXX $\pm .010$
ANGULAR: $\pm 3^\circ$
FINISH: 120Ra



WHITE WATER
MARINE HARDWARE

TITLE

GARBOARD PLUG
PART NUMBER: 8074B

PROPRIETARY AND CONFIDENTIAL
THE INFORMATION CONTAINED IN THIS
DRAWING IS THE SOLE PROPERTY OF WHITE
WATER MARINE HARDWARE. ANY REPRODUCTION
IN PART OR AS A WHOLE WITHOUT WRITTEN
PERMISSION IS PROHIBITED.

SIZE A	DRAWING NO. WWMH-8074B	REV 0
SCALE 1 : 1	DRAWN RC	DATE 11/5/2025
		SHEET 1 OF 1