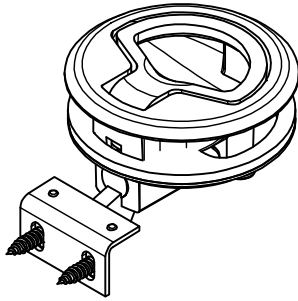


Installation Guide

7112S 316SS CAST SLAM LATCH - 2 1/2"

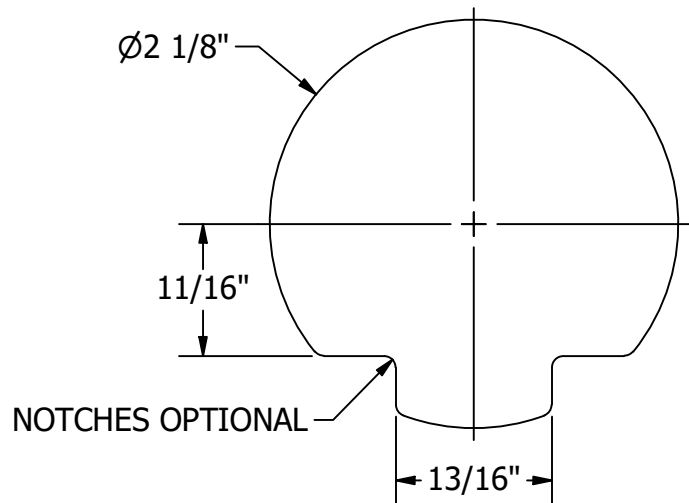


WHITE WATER
MARINE HARDWARE

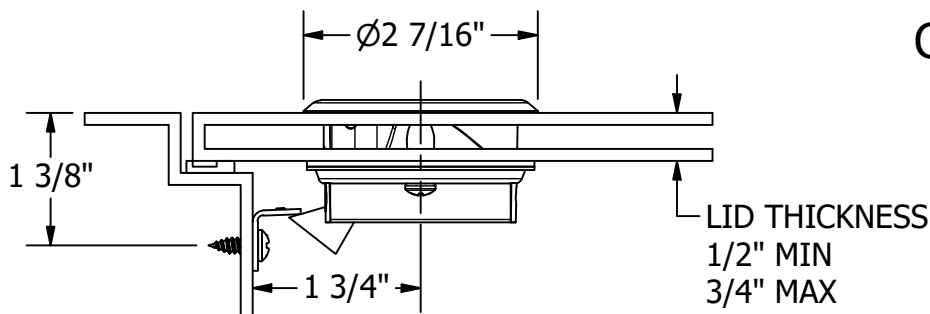


Required Materials (not included)

- Safety glasses
- Drill and bits
- Hole Saw
- Screwdriver
- Masking tape
- Pencil



CUTOUT TEMPLATE
SCALE 1 : 1



Instructions

1. Determine suitable lid (or door) for installation of slam latch. Consider strength of mounting surfaces. Excessive movement can lead to difficulty aligning the latch.
2. Beginning at the strike plate mounting surface, measure 1-3/4" to the center of the slam latch and mark the hole location. Tip: Cover surface using masking tape and make reference marks to position and align the latch.
3. Make cutout for latch body. Optionally for most secure installation, make cutout with notches to match the latch body. Any exposed core should be sealed to prevent water absorption.
4. Test fit latch to be sure final position is as desired.
5. Predrill holes to mount strike plate 1-3/8" below the surface of the lid. The strike plate may be used as a template to mark the hole locations. Slotted holes allow the final position of the plate to be adjusted. **Use caution with carbon steel tools around stainless hardware. Surface contamination can lead to the appearance of rust.**
6. Remove all masking tape. If bedding hardware with an adhesive/sealant, prepare surface as recommended per manufacturer instructions.
7. Install latch and strike plate. Caution: over tightening screws may cause the latch backing plate to bend.
8. Clean up any excess sealant to leave a smooth joint between the brackets and mounting surface.
9. Wipe down metal surfaces using Stainless Steel polish/protectant.