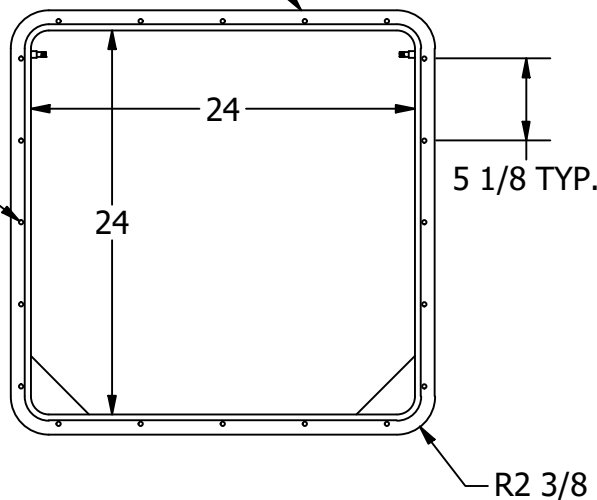


MANUFACTURER:
MAN SHIP

FOR REFERENCE ONLY

316 STAINLESS STEEL
ROLLED AND FORMED FRAME

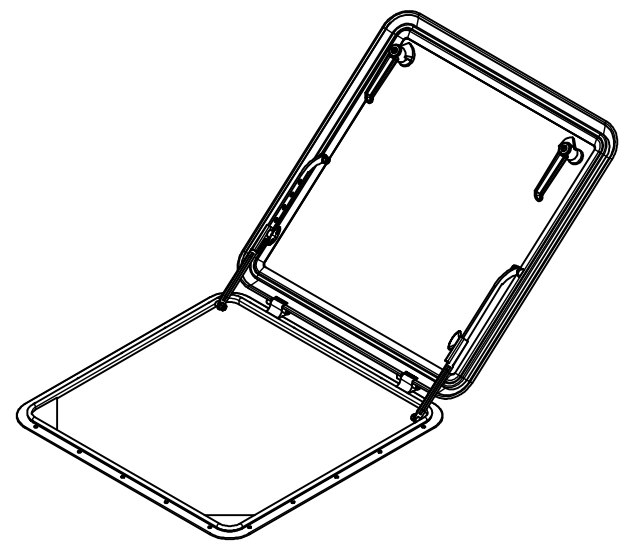
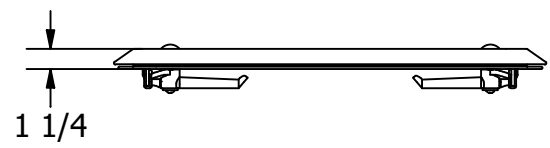
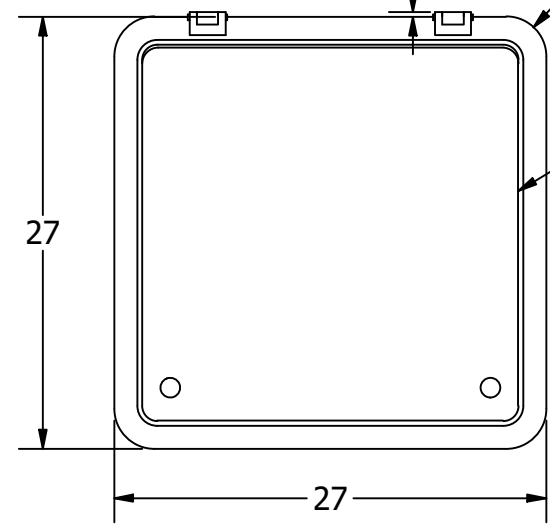
CLEARANCE FOR
Ø5/16 SCREW



5/16

R2 1/2

UV GLARE RESISTANT
1/2" ACRYLIC TOP



UNLESS OTHERWISE SPECIFIED:
BREAK ALL SHARP EDGES
DIMENSIONS ARE IN INCHES
TOLERANCES:
FRACTIONAL: ± 1/16
DECIMAL: X.X ± .05
 X.XX ± .01
 X.XXX ± .005
ANGULAR: ± 1°
FINISH: 120Ra

PROPRIETARY AND CONFIDENTIAL
THE INFORMATION CONTAINED IN THIS
DRAWING IS THE SOLE PROPERTY OF WHITE
WATER MARINE HARDWARE. ANY REPRODUCTION
IN PART OR AS A WHOLE WITHOUT WRITTEN
PERMISSION IS PROHIBITED.



WHITE WATER
MARINE HARDWARE

TITLE
LOW PROFILE DECK HATCHES, INSIDE OPENING
PART NUMBER: LDH-60-I

SIZE A	DRAWING NO. WWMH-LDH-60-I	REV 0
SCALE 1/12	DRAWN RC	DATE 10/16/2024
		SHEET 1 OF 1