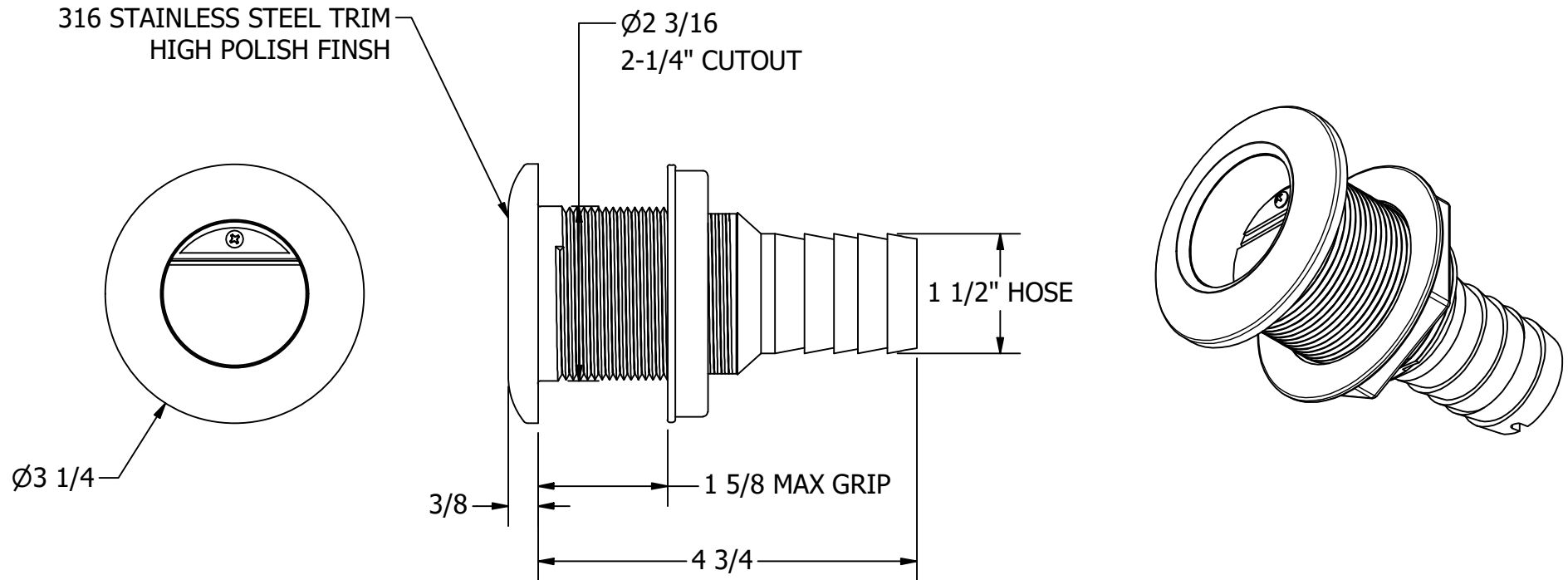


FOR REFERENCE ONLY



UNLESS OTHERWISE SPECIFIED:
BREAK ALL SHARP EDGES
DIMENSIONS ARE IN INCHES
TOLERANCES:
FRACTIONAL: ± 1/16
DECIMAL: X.X ± .05
 X.XX ± .01
 X.XXX ± .005
ANGULAR: ± 1°
FINISH: 120Ra

PROPRIETARY AND CONFIDENTIAL
THE INFORMATION CONTAINED IN THIS
DRAWING IS THE SOLE PROPERTY OF WHITE
WATER MARINE HARDWARE. ANY REPRODUCTION
IN PART OR AS A WHOLE WITHOUT WRITTEN
PERMISSION IS PROHIBITED.



WHITE WATER
MARINE HARDWARE

TITLE
NYLON THRU-HULL SCUPPER, 1.5"
PART NUMBER: 6656N-SCP

SIZE A	DRAWING NO. WWMH-6656N-SCP	REV 0
SCALE 1 / 2	DRAWN RC	DATE 8/21/2024
		SHEET 1 OF 1