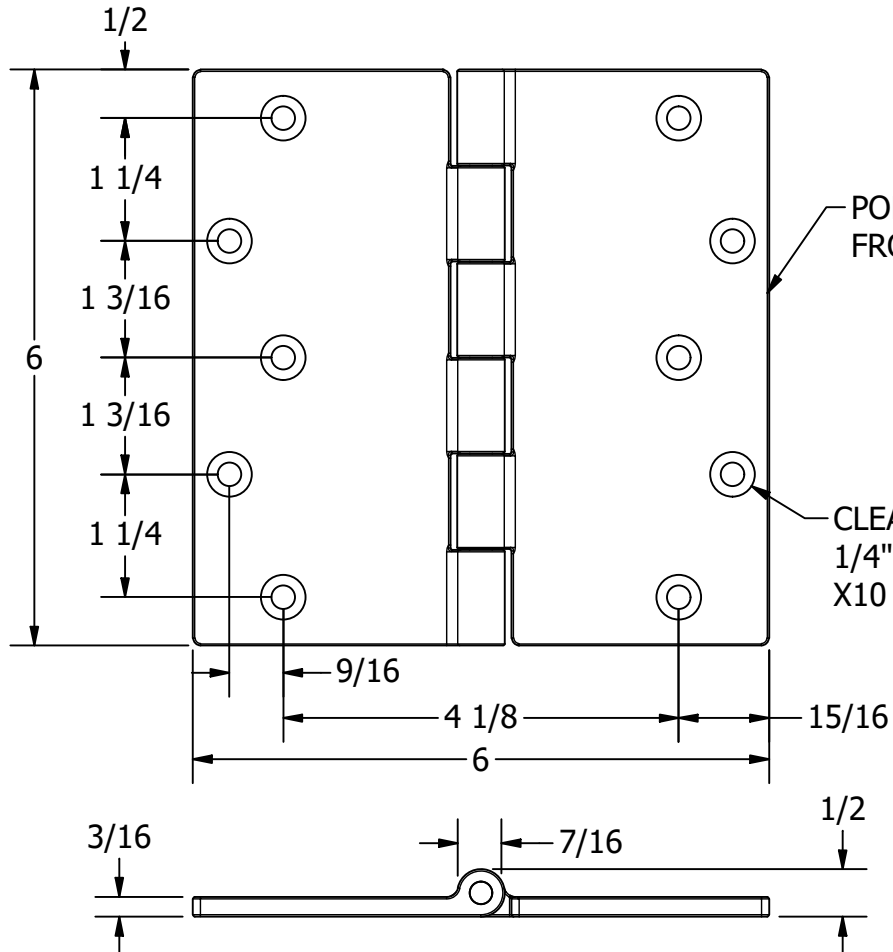


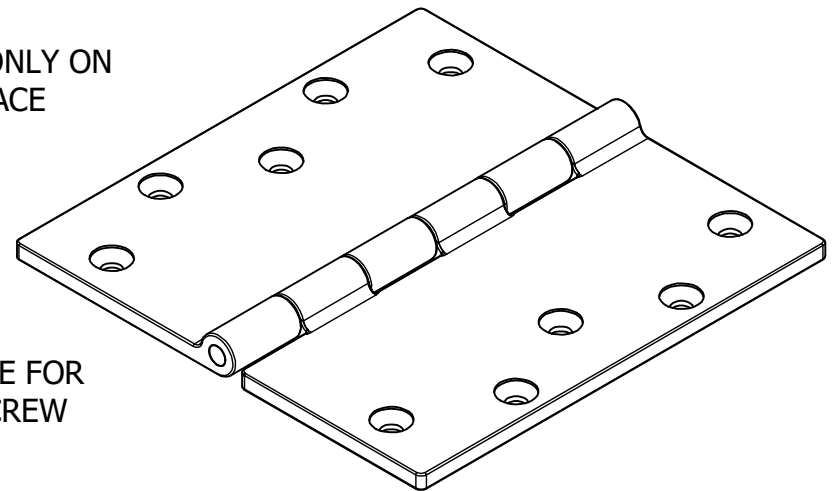
NOTES  
 316 STAINLESS STEEL  
 MIRROR POLISH

# FOR REFERENCE ONLY



POLISH ONLY ON  
 FRONT FACE

CLEARANCE FOR  
 1/4" FH SCREW  
 X10



UNLESS OTHERWISE SPECIFIED:  
 BREAK ALL SHARP EDGES  
 DIMENSIONS ARE IN INCHES  
 TOLERANCES:  
 FRACTIONAL:  $\pm 1/16$   
 DECIMAL: X.X  $\pm .05$   
           X.XX  $\pm .03$   
           X.XXX  $\pm .010$   
 ANGULAR:  $\pm 3^\circ$   
 FINISH: 120Ra

**PROPRIETARY AND CONFIDENTIAL**  
 THE INFORMATION CONTAINED IN THIS  
 DRAWING IS THE SOLE PROPERTY OF WHITE  
 WATER MARINE HARDWARE. ANY REPRODUCTION  
 IN PART OR AS A WHOLE WITHOUT WRITTEN  
 PERMISSION IS PROHIBITED.



**WHITE WATER**  
 MARINE HARDWARE

TITLE			
BUTT HINGE			
PART NUMBER: 6119S			
SIZE	DRAWING NO.		REV
A	WWMH-6119S		0
SCALE	DRAWN	DATE	SHEET 1 OF 1
1 / 2	RC	10/10/2025	