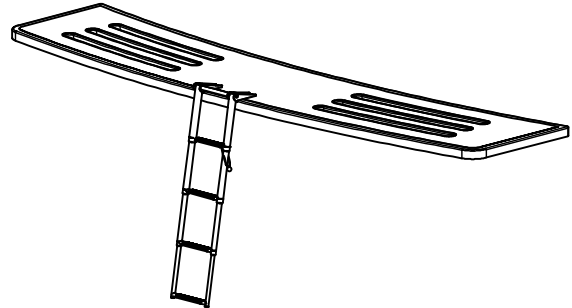
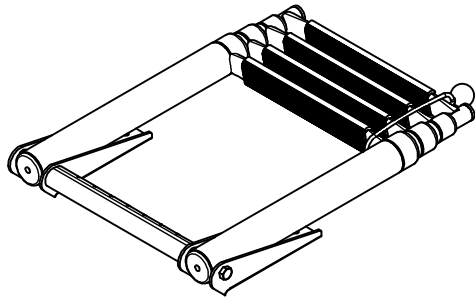


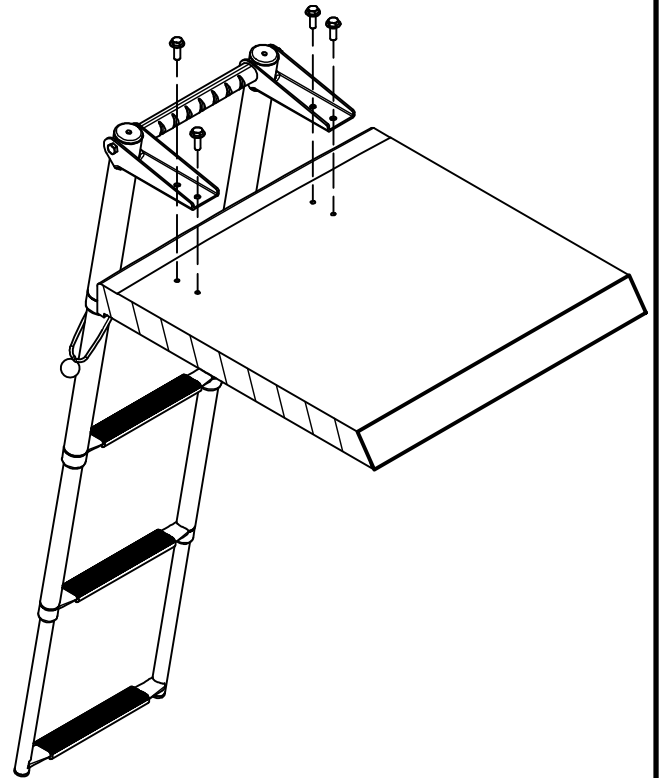
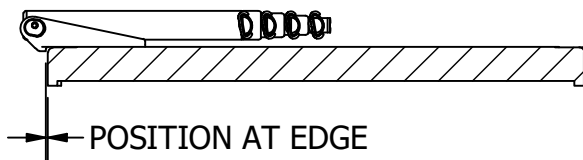
Installation Guide

B00351CHA



Required Materials (not included)

- Safety glasses and rubber gloves
- Drill and bits
- 7/16" socket and ratchet
- Measuring tape
- Masking tape
- Pencil
- Marine adhesive/sealant (3M 4200 or equivalent)
- 4X - 5/16" stainless bolts
- 4X - 5/16" stainless washers
- Clean rags



Instructions

1. Determine suitable mounting location on flat topside surface. Consider proximity to grab rails above the platform as well as potential interferences. **Additional reinforcement may be required.**
2. Position ladder and mark fastener hole locations using the bracket as a template. The mounting brackets should be positioned as far inboard as possible to reduce stress on mounting fasteners. Tip: Cover surface using masking tape and make reference marks to position and align the ladder.
3. Drill mounting holes appropriate for selected 5/16" fastener. Any exposed core should be sealed to prevent water absorption. **Use caution with carbon steel tools around stainless hardware. Surface contamination can lead to the appearance of rust.**
4. Test fit ladder to be sure fastener holes are aligned and final position is as desired.
5. Remove all masking tape and prepare installation surface as recommended per selected adhesive/sealant instructions.
6. Bed entire mounting surface so a small amount of sealant is squeezed from all sides as fasteners are tightened. Clean up any excess sealant to leave a smooth joint between the bracket and mounting surface.
7. Wipe down metal surfaces using Stainless Steel polish/protectant.