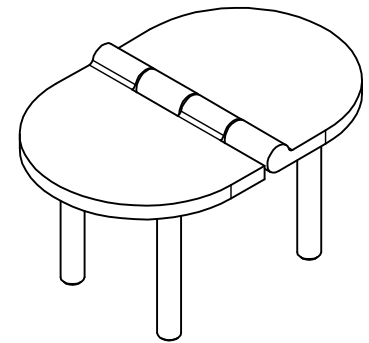
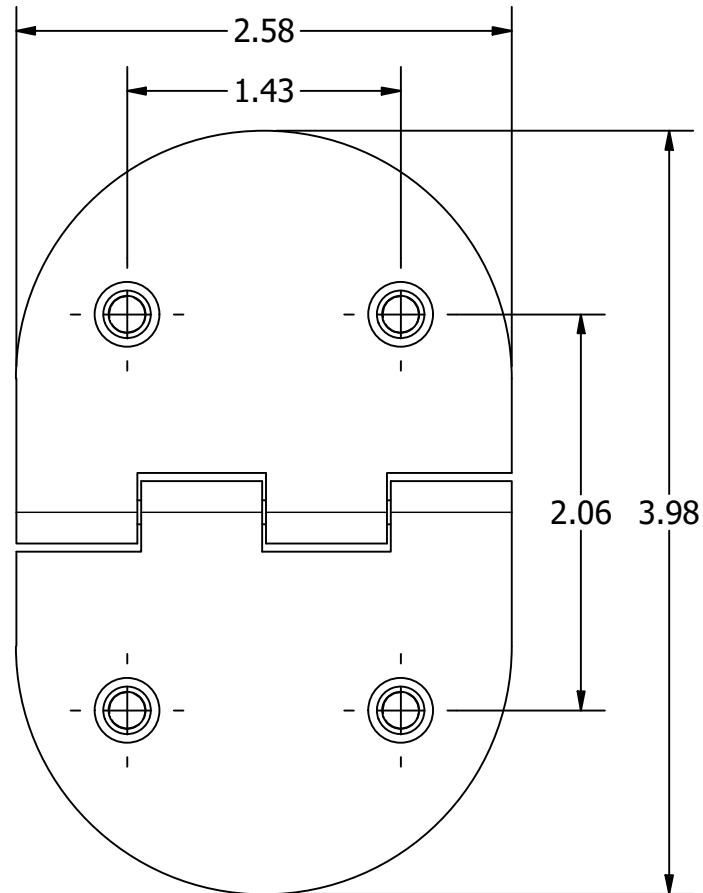
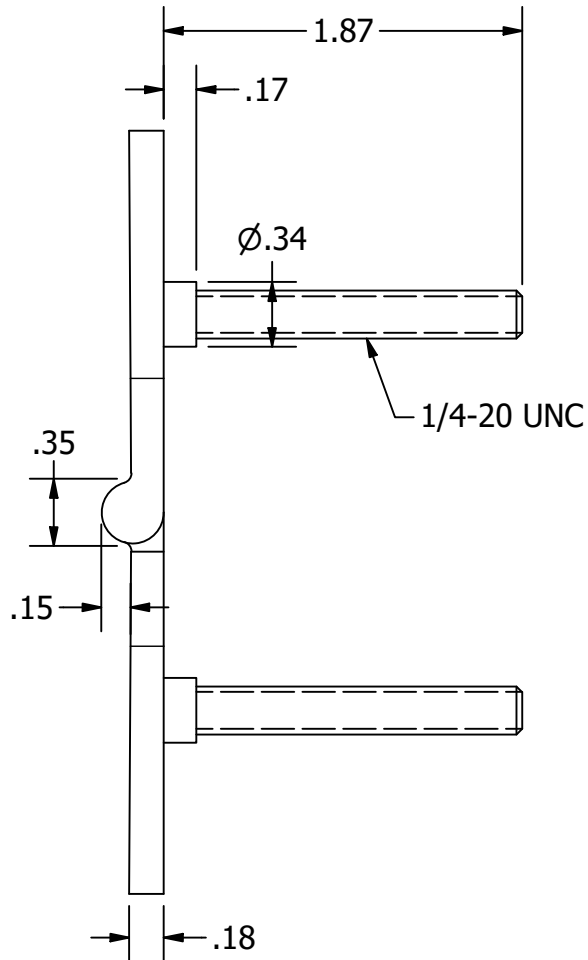


# FOR REFERENCE ONLY



SCALE 1 : 2

UNLESS OTHERWISE SPECIFIED:  
 BREAK ALL SHARP EDGES  
 DIMENSIONS ARE IN INCHES  
 TOLERANCES:  
 FRACTIONAL:  $\pm 1/16$   
 DECIMAL: X.X  $\pm .05$   
           X.XX  $\pm .01$   
           X.XXX  $\pm .005$   
 ANGULAR:  $\pm 1^\circ$   
 FINISH: 120Ra

**PROPRIETARY AND CONFIDENTIAL**  
 THE INFORMATION CONTAINED IN THIS  
 DRAWING IS THE SOLE PROPERTY OF  
 WHITE WATER MARINE HARDWARE. ANY  
 REPRODUCTION IN PART OR AS A WHOLE  
 WITHOUT WRITTEN PERMISSION IS  
 PROHIBITED.



**WHITE WATER**  
 MARINE HARDWARE

TITLE			
316SS CAST OVAL HINGE - BARREL UP			
PART NUMBER: 61137S			
SIZE	DWG NO	REV	
A	WWMH-61137S	0	
DRAWN	KSR	7/9/2021	SCALE 1 : 1 MATERIAL SHEET 1 OF 1