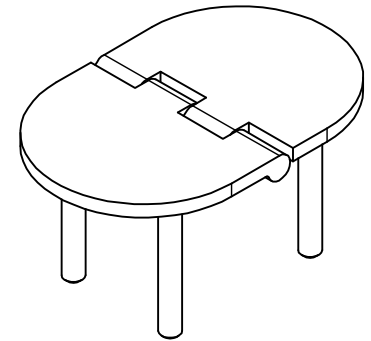
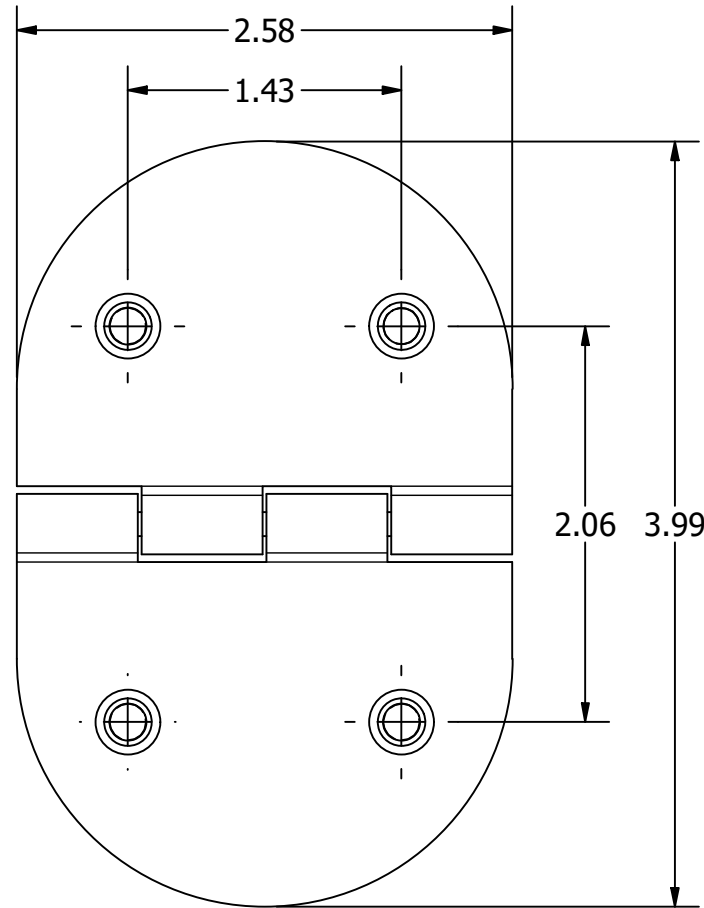
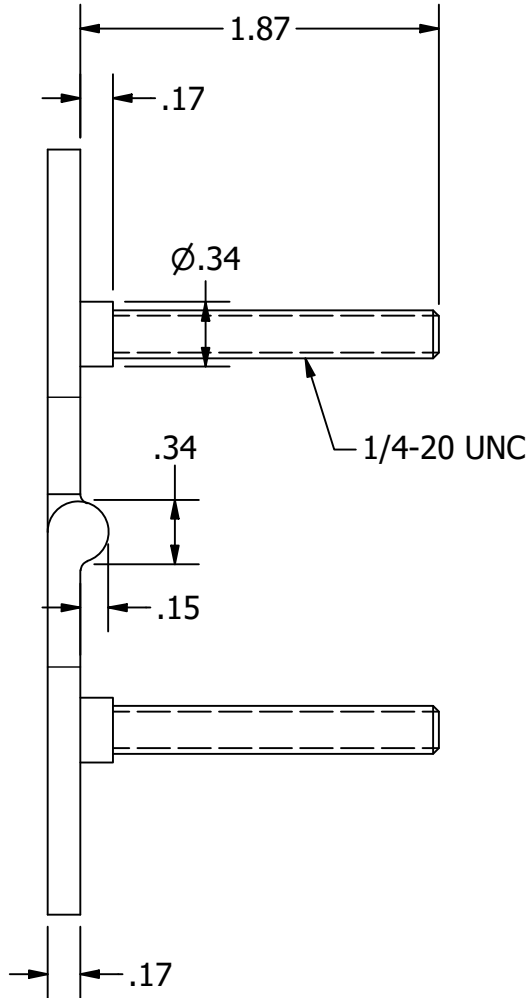


FOR REFERENCE ONLY



SCALE 1 : 2

PROPRIETARY AND CONFIDENTIAL
 THE INFORMATION CONTAINED IN THIS DRAWING IS THE SOLE PROPERTY OF WHITE WATER MARINE HARDWARE. ANY REPRODUCTION IN PART OR AS A WHOLE WITHOUT WRITTEN PERMISSION IS PROHIBITED.

UNLESS OTHERWISE SPECIFIED:
 BREAK ALL SHARP EDGES
 DIMENSIONS ARE IN INCHES
 TOLERANCES:
 FRACTIONAL: $\pm 1/16$
 DECIMAL: X.X $\pm .05$
 X.XX $\pm .01$
 X.XXX $\pm .005$
 ANGULAR: $\pm 1^\circ$
 FINISH: 120Ra



WHITE WATER
 MARINE HARDWARE

TITLE
 316SS CAST OVAL HINGE - BARREL DOWN
 PART NUMBER: 61137SR

SIZE A	DWG NO WWMH-61137SR	REV 0
DRAWN KSR	SCALE 1 : 1	MATERIAL
7/9/2021	SHEET 1 OF 1	