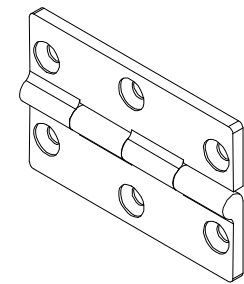
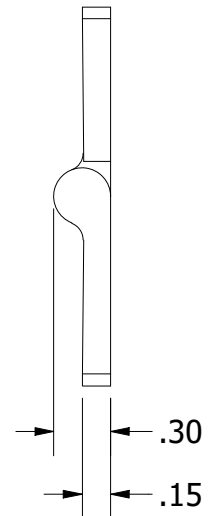
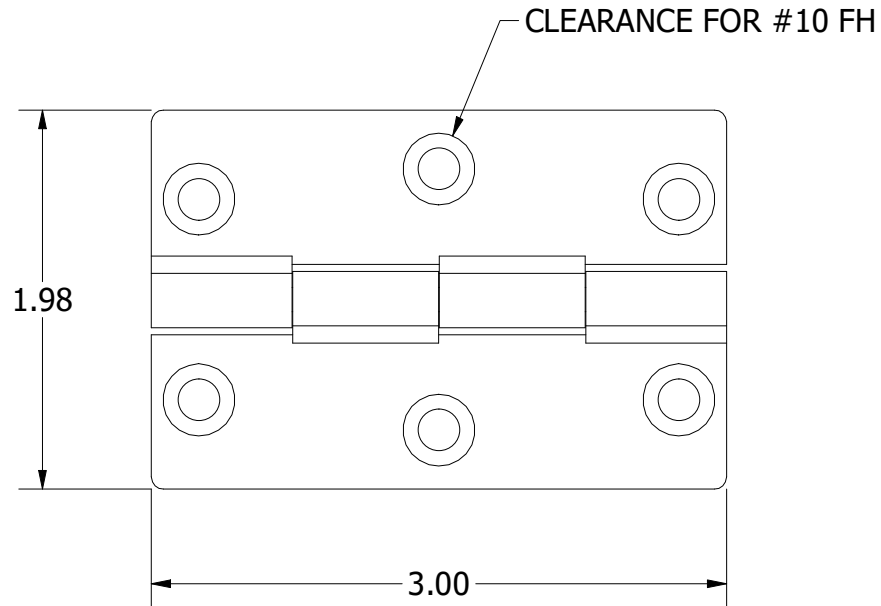


FOR REFERENCE ONLY



SCALE 1 : 2

		WHITE WATER MARINE HARDWARE	
TITLE			
2" X 3" BUTT HINGE			
PART NUMBER: 61142S			
SIZE		DWG NO	REV
A		WWMH-61142S CC	0
SCALE	1 : 1	MATERIAL	SHEET 1 OF 1