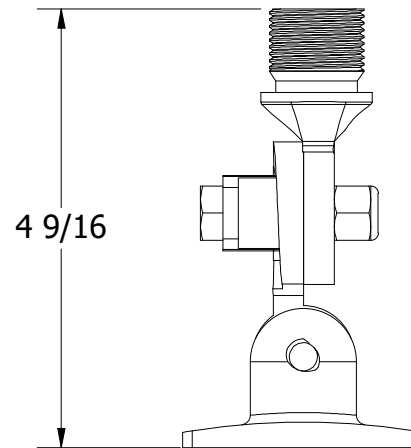
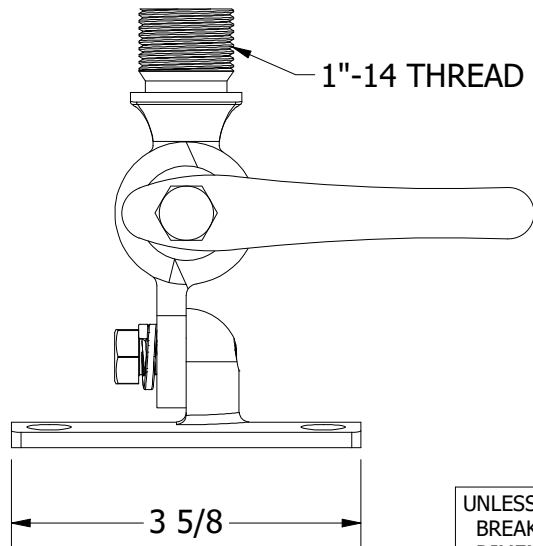
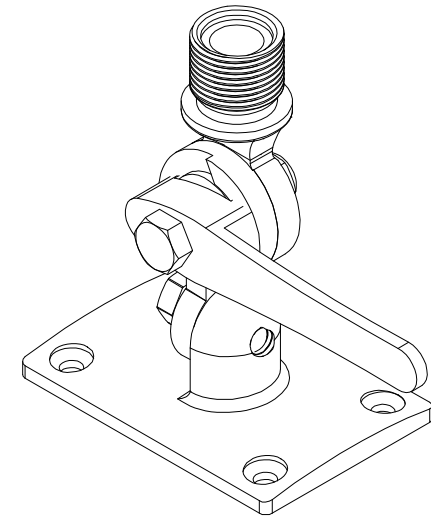
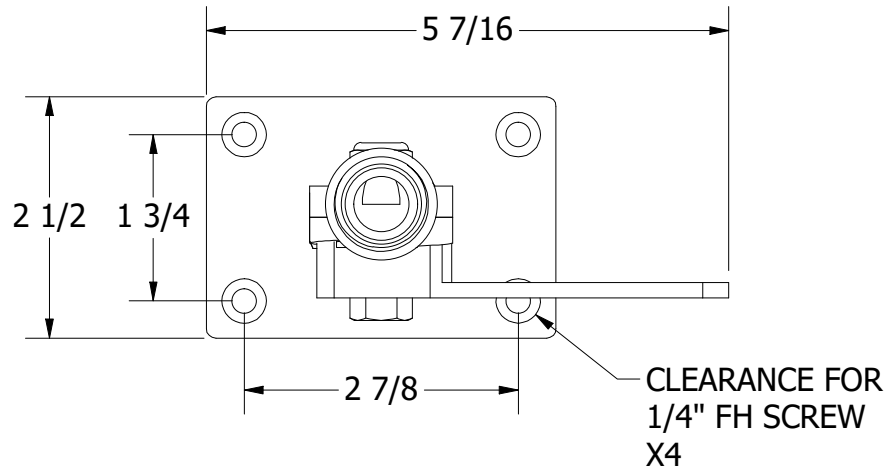


NOTES
 316 STAINLESS STEEL
 HIGH POLISH

FOR REFERENCE ONLY



UNLESS OTHERWISE SPECIFIED:
 BREAK ALL SHARP EDGES
 DIMENSIONS ARE IN INCHES
 TOLERANCES:
 FRACTIONAL: $\pm 1/16$
 DECIMAL: X.X $\pm .05$
 X.XX $\pm .03$
 X.XXX $\pm .010$
 ANGULAR: $\pm 3^\circ$
 FINISH: 120Ra

PROPRIETARY AND CONFIDENTIAL
 THE INFORMATION CONTAINED IN THIS
 DRAWING IS THE SOLE PROPERTY OF WHITE
 WATER MARINE HARDWARE. ANY REPRODUCTION
 IN PART OR AS A WHOLE WITHOUT WRITTEN
 PERMISSION IS PROHIBITED.



WHITE WATER
 MARINE HARDWARE

| | | | |
|-----------------------------|-------------|-----------|--------|
| TITLE | | | |
| 4-WAY RATCHET ANTENNA MOUNT | | | |
| PART NUMBER: 6508S | | | |
| SIZE | DRAWING NO. | | REV |
| A | WWMH-6508S | | 0 |
| SCALE | DRAWN | DATE | SHEET |
| 1 / 2 | RC | 8/22/2025 | 1 OF 1 |