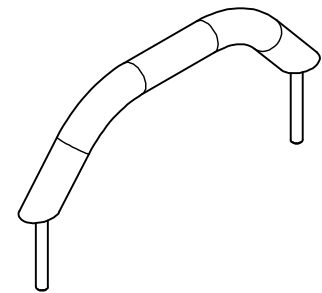
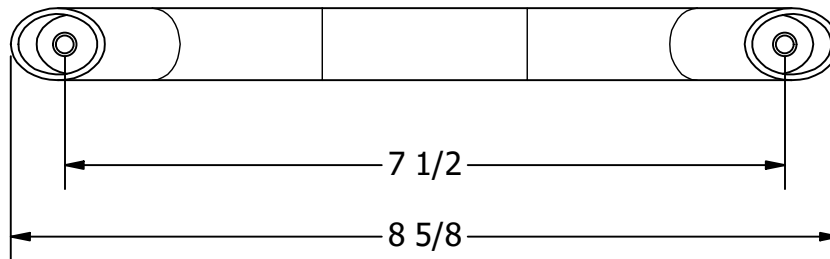
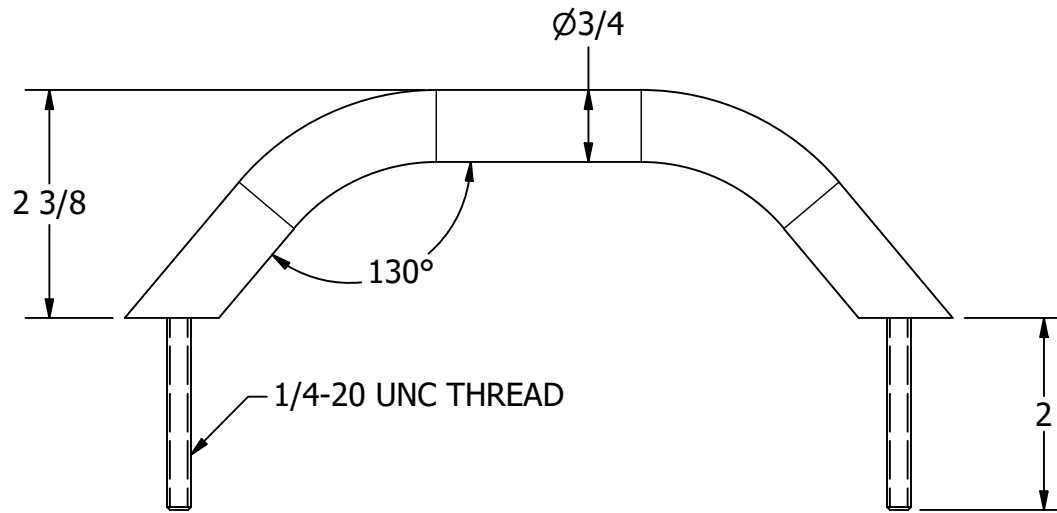



FOR REFERENCE ONLY



SCALE 1 : 4

REVISION HISTORY		
REV	DESCRIPTION	DATE
1	3/4" DIA WAS 5/8", 7-1/2" WAS 8-1/16", 2-3/8" WAS 1-15/16"	8/18/22

		WHITE WATER MARINE HARDWARE	
TITLE			
THIN GRAB RAIL PART NUMBER: 70250			
SIZE		DWG NO	REV
A		WWMH-70250 CC	1
SCALE	1 : 2	MATERIAL	SHEET 1 OF 1