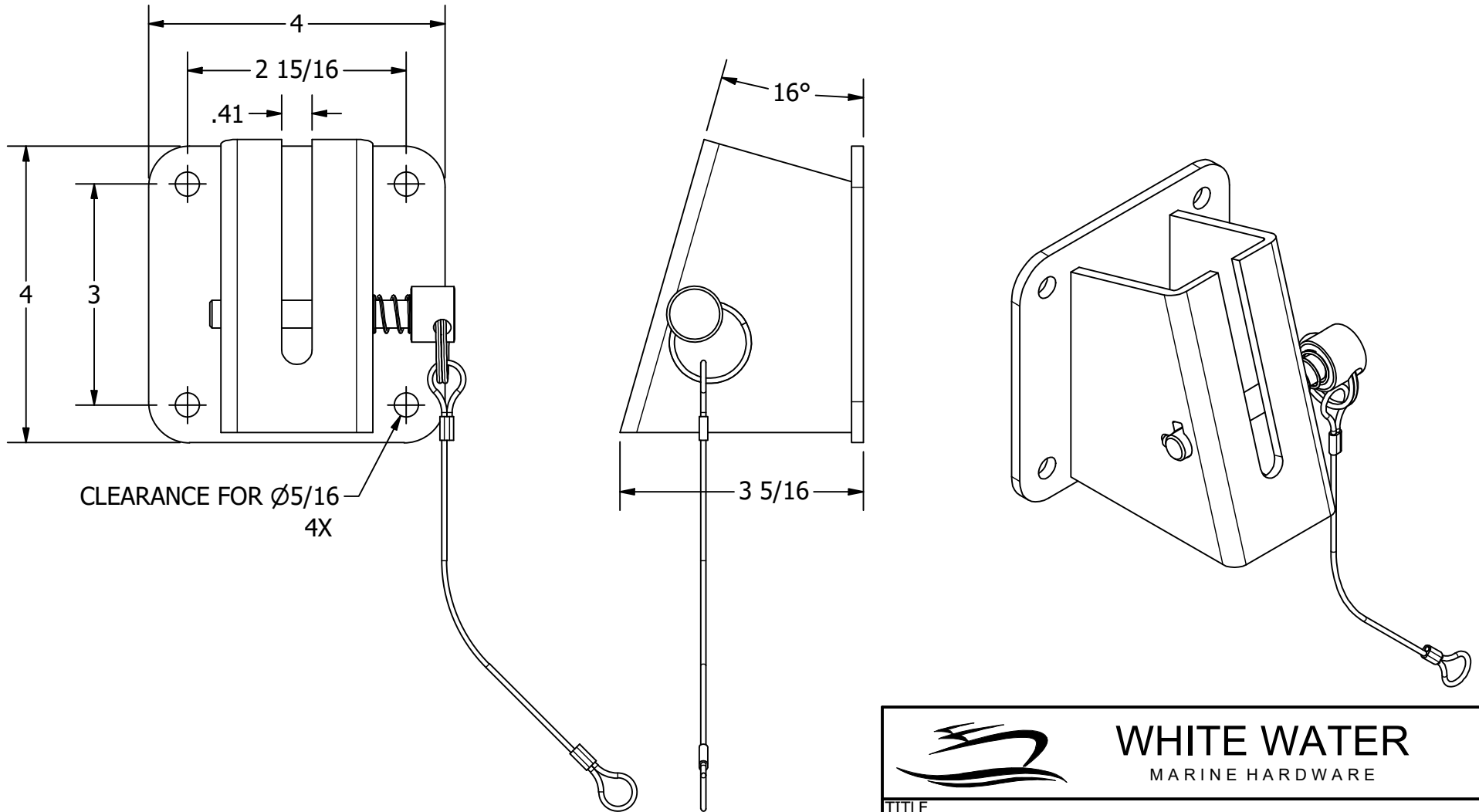



# FOR REFERENCE ONLY



		<b>WHITE WATER</b> MARINE HARDWARE	
		TITLE <b>TRANSOM DIVE LADDER BRACKET</b> PART NUMBER: AMB2	
SIZE A		DWG NO WWMH-AMB2 CC	REV 0
SCALE 1 : 2	MATERIAL	SHEET 1 OF 1	