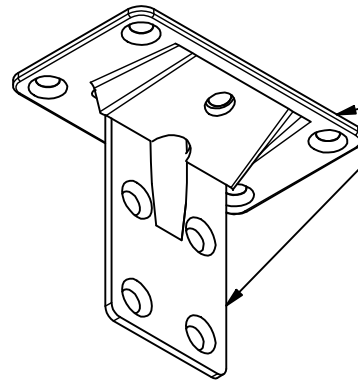
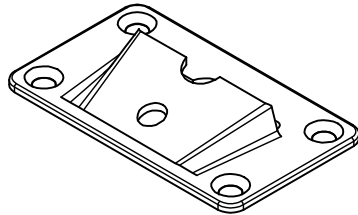
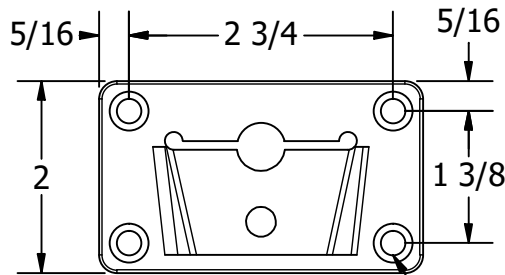
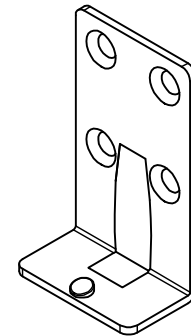


FOR REFERENCE ONLY



304 STAINLESS STEEL
HIGH POLISH FINISH



ASSEMBLED VIEW
SCALE 1/2

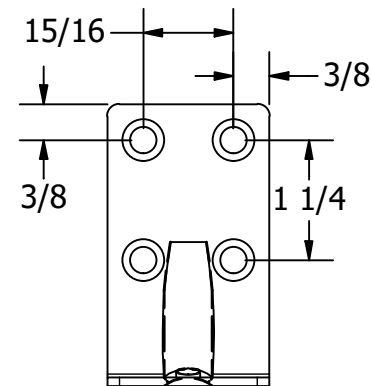
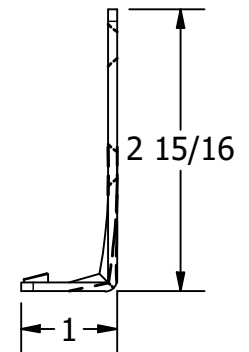
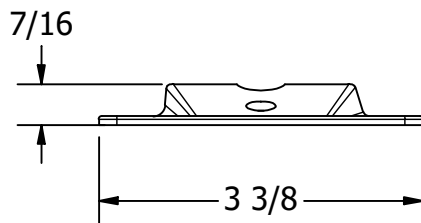


TABLE BRACKET
SCALE 1/2



CLEARANCE FOR #12 FASTENERS
(BOTH BRACKETS)



WALL BRACKET
SCALE 1/2

UNLESS OTHERWISE SPECIFIED:
BREAK ALL SHARP EDGES
DIMENSIONS ARE IN INCHES
TOLERANCES:
FRACTIONAL: $\pm 1/16$
DECIMAL: X.X $\pm .05$
 X.XX $\pm .01$
 X.XXX $\pm .005$
ANGULAR: $\pm 1^\circ$
FINISH: 120Ra



WHITE WATER
MARINE HARDWARE

TITLE
REMOVABLE MARINE STAINLESS TABLE BRACKETS
PART NUMBER: 7994S

PROPRIETARY AND CONFIDENTIAL
THE INFORMATION CONTAINED IN THIS
DRAWING IS THE SOLE PROPERTY OF WHITE
WATER MARINE HARDWARE. ANY REPRODUCTION
IN PART OR AS A WHOLE WITHOUT WRITTEN
PERMISSION IS PROHIBITED.

SIZE A	DRAWING NO. WWMH-7994S	REV 0
SCALE 1/2	DRAWN RC	DATE 8/23/2024
		SHEET 1 OF 1