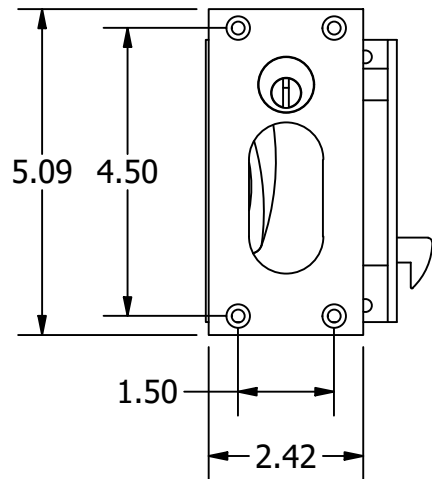
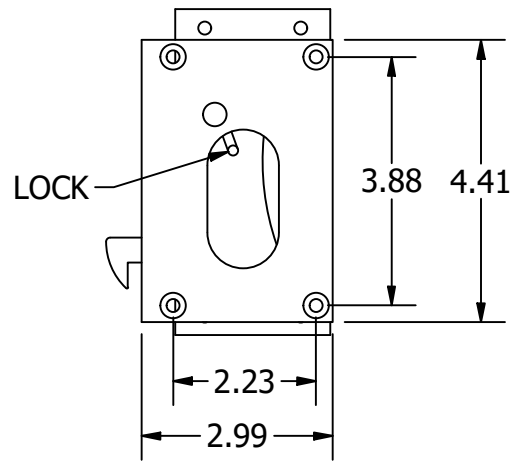
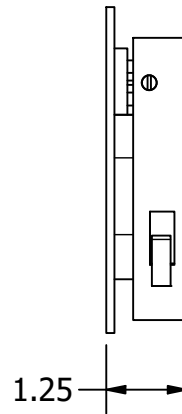


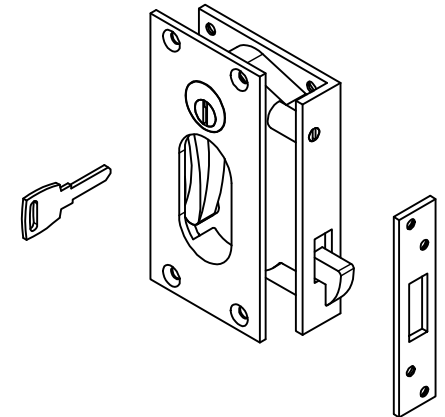
# FOR REFERENCE ONLY



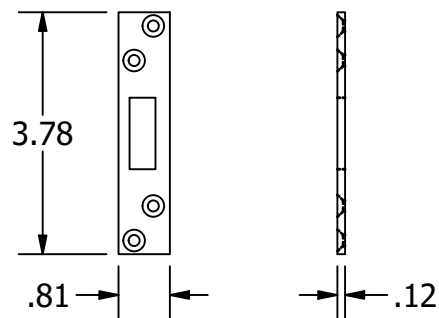
EXTERIOR VIEW




INTERIOR VIEW



COMPLETE ASSEMBLY



STRIKE PLATE

 <b>WHITE WATER</b> MARINE HARDWARE		TITLE	
		SLIDING DOOR LOCK SET WITH KEY PART NUMBER: S12-410	
SIZE	DWG NO	REV	
A	WWMH-S12-410 CC	0	
SCALE	MATERIAL	SHEET 1 OF 1	
1 : 3			