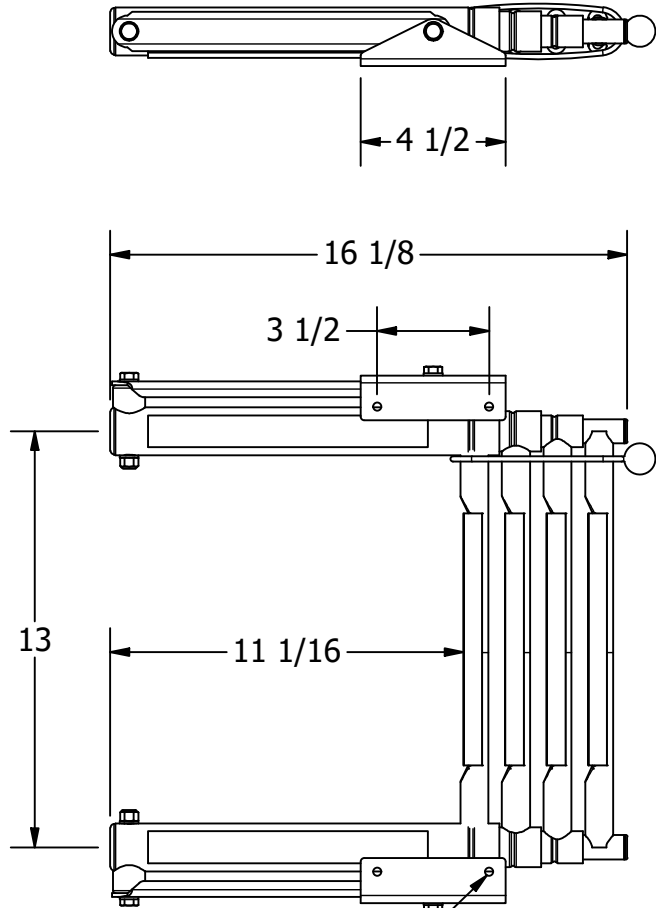


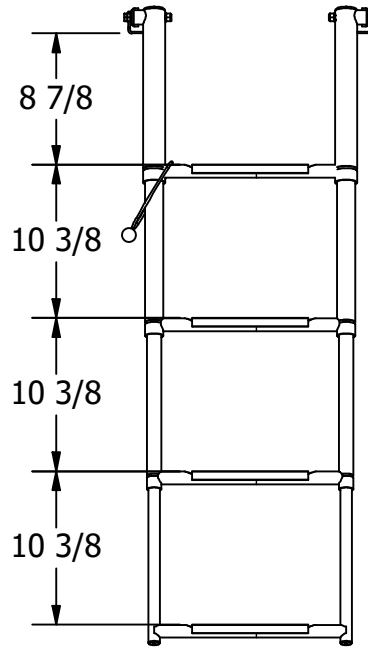
NOTES
 304 STAINLESS STEEL TUBING
 HIGH POLISH

FOR REFERENCE ONLY

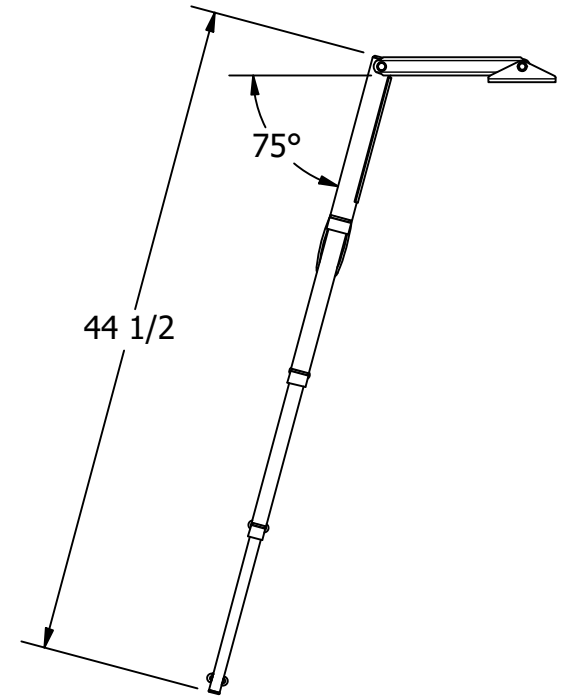


CLEARANCE FOR
 1/4" FASTENER
 X4

STOWED



DEPLOYED



UNLESS OTHERWISE SPECIFIED:
 BREAK ALL SHARP EDGES
 DIMENSIONS ARE IN INCHES
 TOLERANCES:
 FRACTIONAL: $\pm 1/16$
 DECIMAL: X.X $\pm .05$
 X.XX $\pm .03$
 X.XXX $\pm .010$
 ANGULAR: $\pm 3^\circ$
 FINISH: 120Ra

PROPRIETARY AND CONFIDENTIAL
 THE INFORMATION CONTAINED IN THIS
 DRAWING IS THE SOLE PROPERTY OF WHITE
 WATER MARINE HARDWARE. ANY REPRODUCTION
 IN PART OR AS A WHOLE WITHOUT WRITTEN
 PERMISSION IS PROHIBITED.



WHITE WATER
 MARINE HARDWARE

TITLE
FOLD OUT TELESCOPING OVER PLATFORM LADDER
 PART NUMBER: B00351WWD

SIZE A	DRAWING NO. WWMH-B00351WWD	REV 0
SCALE 1/6	DRAWN RC	DATE 11/10/2025
		SHEET 1 OF 1