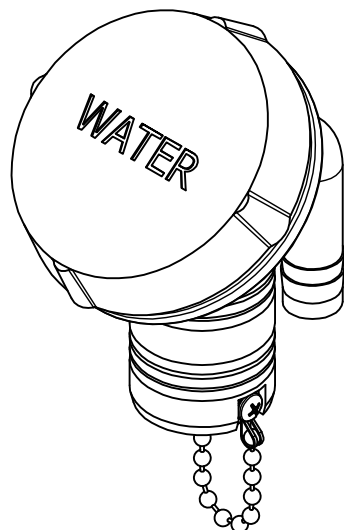
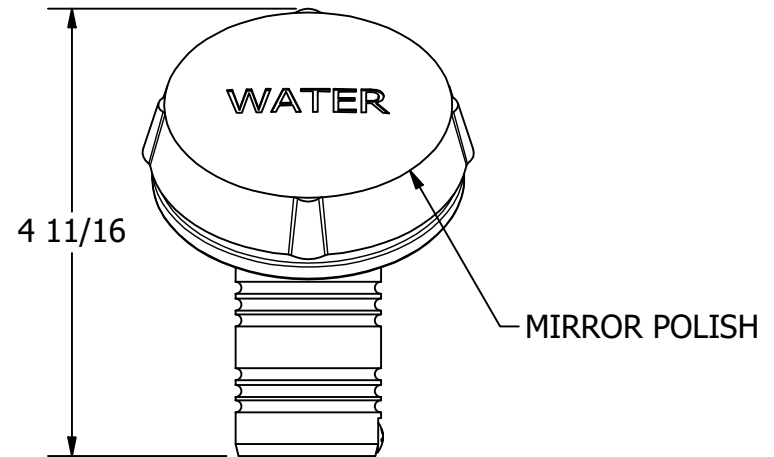
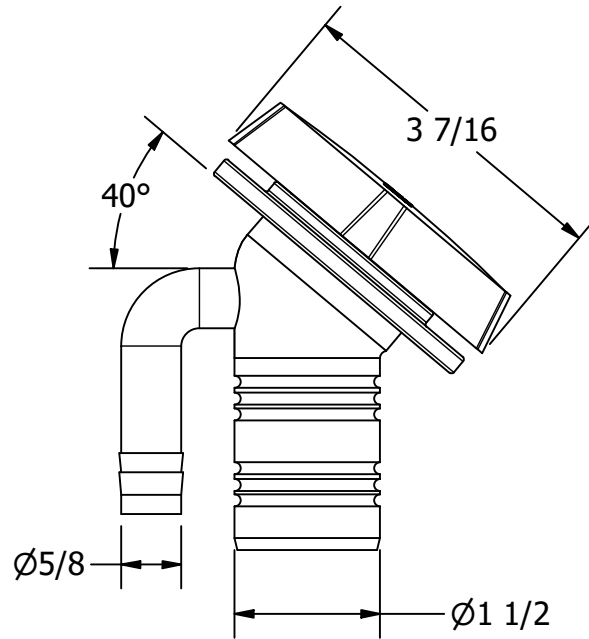


# FOR REFERENCE ONLY

NOTE:  
316 STAINLESS STEEL



UNLESS OTHERWISE SPECIFIED:  
BREAK ALL SHARP EDGES  
DIMENSIONS ARE IN INCHES  
TOLERANCES:  
FRACTIONAL: ± 1/16  
DECIMAL: X.X ± .05  
          X.XX ± .01  
          X.XXX ± .005  
ANGULAR: ± 1°  
FINISH: 120Ra

**PROPRIETARY AND CONFIDENTIAL**  
THE INFORMATION CONTAINED IN THIS  
DRAWING IS THE SOLE PROPERTY OF WHITE  
WATER MARINE HARDWARE. ANY REPRODUCTION  
IN PART OR AS A WHOLE WITHOUT WRITTEN  
PERMISSION IS PROHIBITED.



**WHITE WATER**  
MARINE HARDWARE

TITLE  
SS VENTED DECK FILLS 40° ANGLE - WATER  
PART NUMBER: 6006S-ACV

SIZE A	DRAWING NO. WWMH-6006S-ACV	REV 0
SCALE 1/2	DRAWN RC	DATE 9/25/2024
		SHEET 1 OF 1