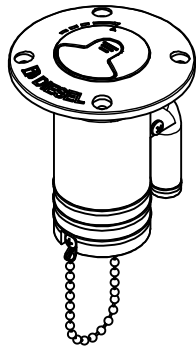


# Installation Guide

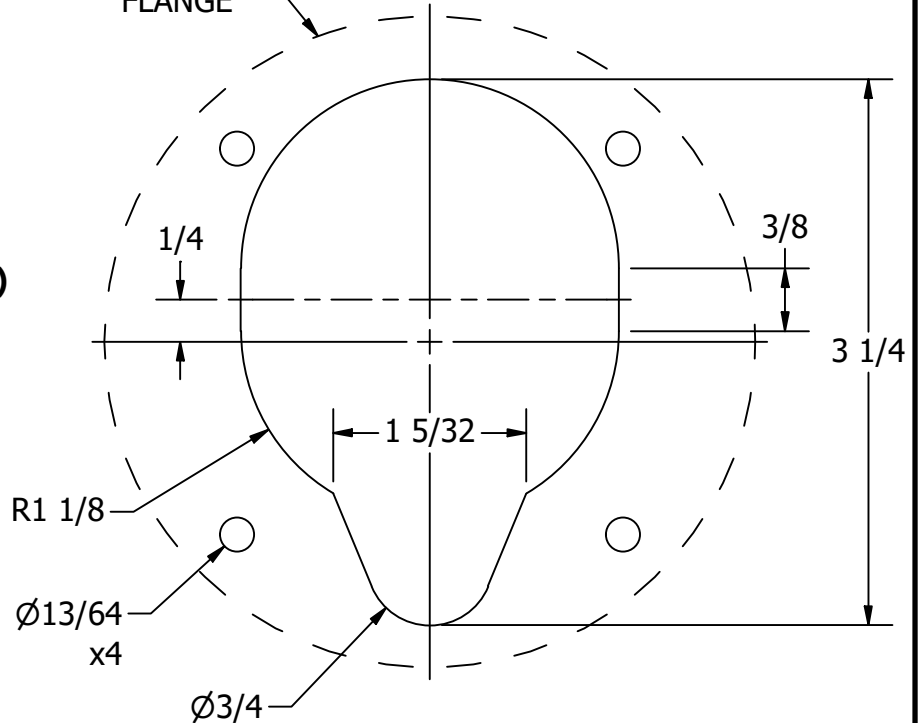
6008SEU-FT-VS VENTED 1/4 TURN DECK FILLS



**WHITE WATER**  
MARINE HARDWARE

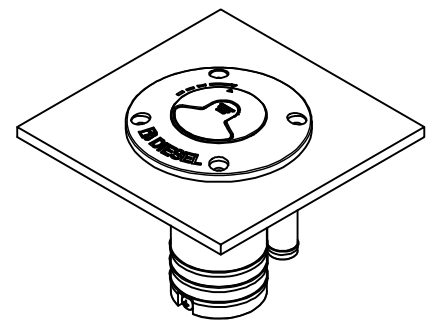
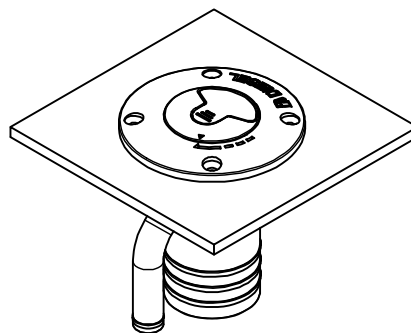
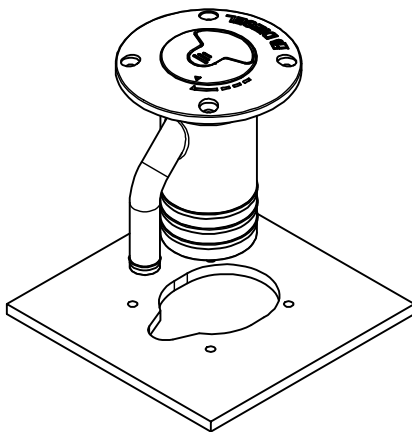


REF INSTALLED  
FLANGE



## Required Materials (not included)

- Safety glasses
- Drill and bits
- Jigsaw (or router)
- Masking tape
- Ruler
- Pencil
- #10 Oval Head Fasteners



## Instructions

1. Determine suitable location for installation of deck fill. Reference ABYC H-24 for requirements relating to accessibility, ventilation, and drainage.
2. Sketch the cutout shape per above diagram or print this page to scale and use as a template. Tip: Cover surface using masking tape and make reference marks to position and align the deck fill.
3. Make cutout for deck fill. Any exposed core should be sealed to prevent water absorption.
4. Test fit deck fill to be sure final position is as desired.
5. Remove all masking tape. If bedding hardware with an adhesive/sealant, prepare surface as recommended per manufacturer instructions.
6. Install deck fill using 316SS #10 Oval Head fasteners (not included).
7. Wipe down metal surfaces using Stainless Steel polish/protectant.