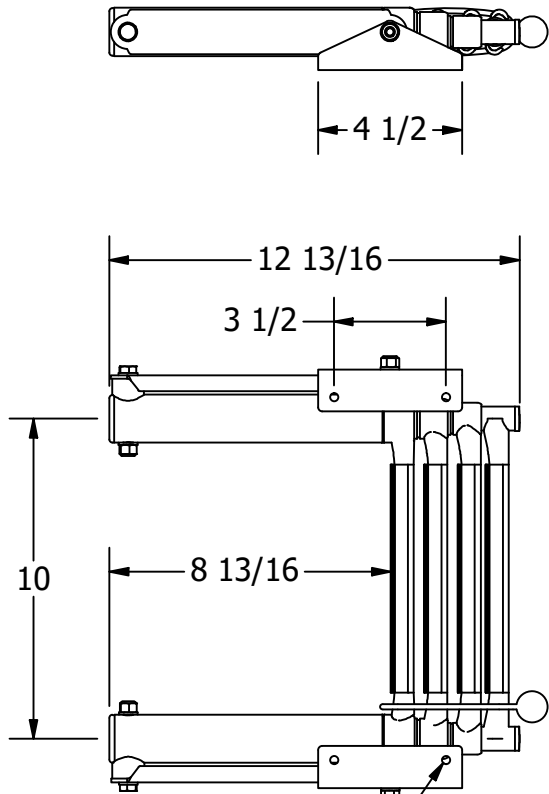


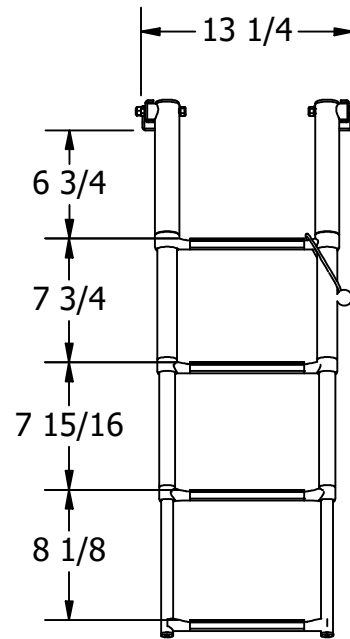
NOTE:
304 STAINLESS STEEL TUBING
HIGH POLISH FINISH

FOR REFERENCE ONLY

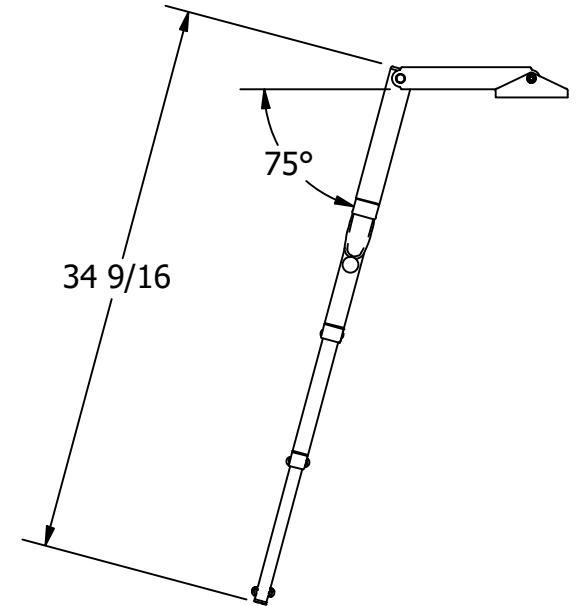


CLEARANCE FOR
1/4" OR #16 FASTENER
X4

STOWED
SCALE 1/6



DEPLOYED
SCALE 1/12



UNLESS OTHERWISE SPECIFIED:
BREAK ALL SHARP EDGES
DIMENSIONS ARE IN INCHES
TOLERANCES:
FRACTIONAL: ± 1/16
DECIMAL: X.X ± .05
 X.XX ± .01
 X.XXX ± .005
ANGULAR: ± 1°
FINISH: 120Ra

PROPRIETARY AND CONFIDENTIAL
THE INFORMATION CONTAINED IN THIS
DRAWING IS THE SOLE PROPERTY OF WHITE
WATER MARINE HARDWARE. ANY REPRODUCTION
IN PART OR AS A WHOLE WITHOUT WRITTEN
PERMISSION IS PROHIBITED.



WHITE WATER
MARINE HARDWARE

TITLE
SS FOLD OUT OVER PLATFORM TELESCOPING LADDER
PART NUMBER: B00351BBD

SIZE A	DRAWING NO. WWMH-B00351BBD	REV 0
SCALE 1/6	DRAWN RC	DATE 8/28/2024
		SHEET 1 OF 1