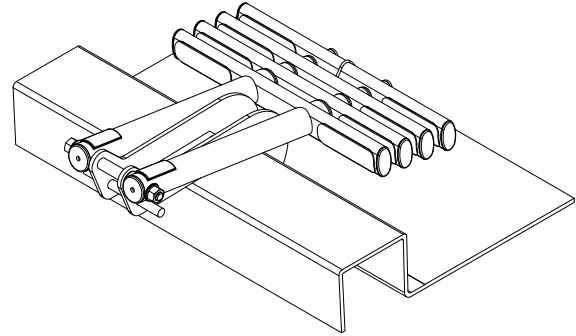
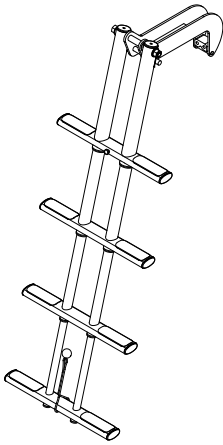


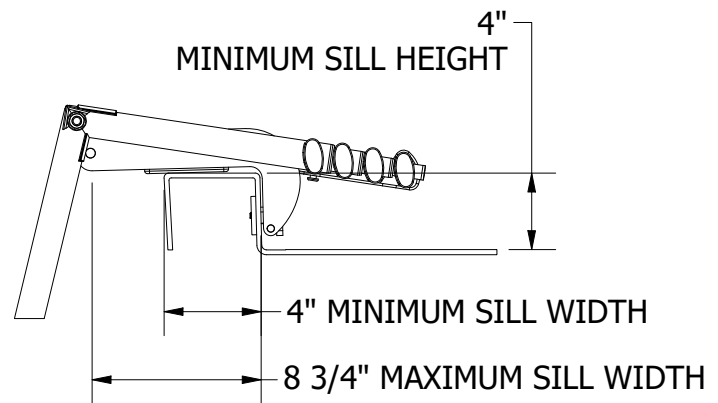
Installation Guide

AM1504MB Telescoping Dive Ladder, Vertical Sill Mount
(fits AMB9 & AMB10 Mounting Block - NOT INCLUDED)



Required Materials (not included)

- Safety glasses
- Drill and bits
- Measuring tape
- Masking tape
- Pencil
- Marine adhesive/sealant (3M 4200 or equivalent)
- AMB9 or AMB10 mount
- 5/16" stainless screws
- Clean rags



Instructions

1. Determine suitable mounting location on flat inboard surface. **Additional reinforcement may be required.**
2. Position ladder so black Delrin block on underside of bracket rests on the door sill. Mark fastener hole locations using bracket as a template. The door sill should be 4" wide minimum to reduce load on the mounting fasteners. Tip: Cover surface using masking tape and make reference marks to position and align the ladder.
3. Predrill mounting holes appropriate for 5/16" fasteners. Any exposed core should be sealed to prevent water absorption. **Use caution with carbon steel tools around stainless hardware. Surface contamination can lead to the appearance of rust.**
4. Test fit ladder to be sure fastener holes are aligned and final position is as desired.
5. Remove all masking tape and prepare installation surface as recommended per selected adhesive/sealant instructions.
6. Bed entire mounting surface so a small amount of sealant is squeezed from all sides as fasteners are tightened. Clean up any excess sealant to leave a smooth joint between the bracket and mounting surface.
7. Wipe down metal surfaces using Stainless Steel polish/protectant.