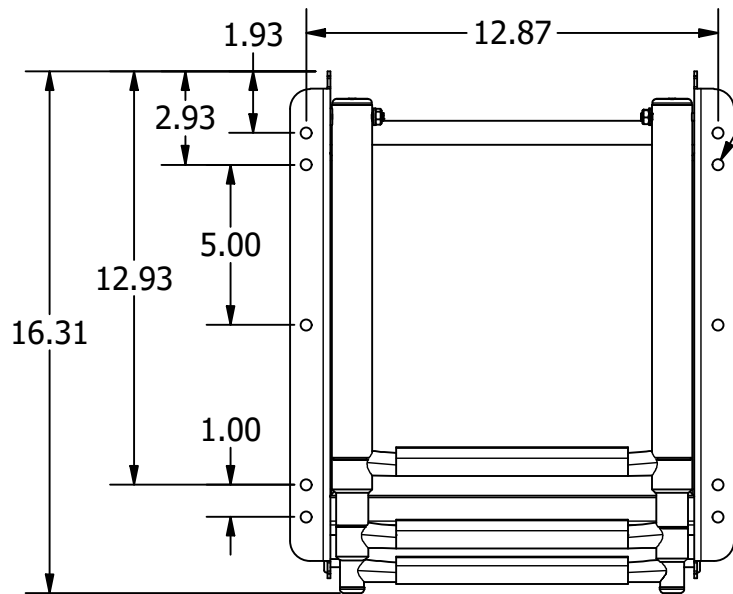
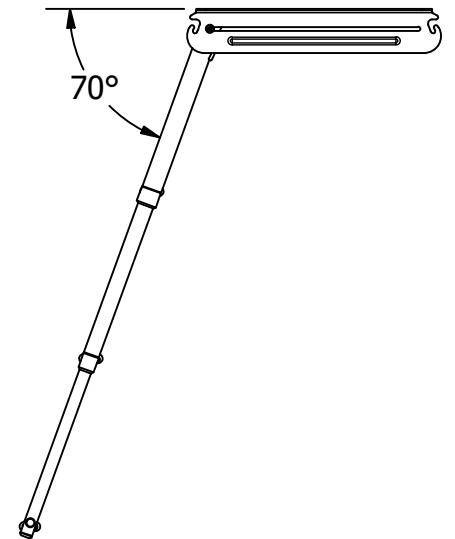
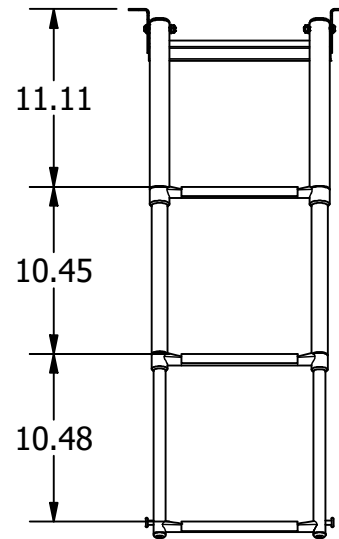


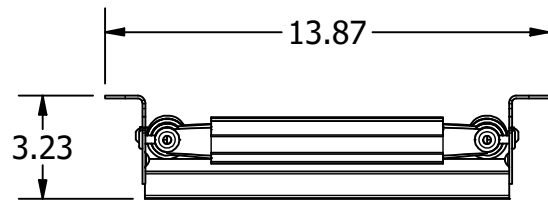
FOR REFERENCE ONLY




CLEARANCE FOR 5/16" FASTENER X10



DEPLOYED VIEW
SCALE 1 : 12



		WHITE WATER MARINE HARDWARE	
		TITLE UNDER PLATFORM LADDER PART NUMBER: B00301UHK-WH	
SIZE A	DWG NO WWMH-B00301UHK-WH CC	REV 0	
SCALE 1 : 6	MATERIAL	SHEET 1 OF 1	