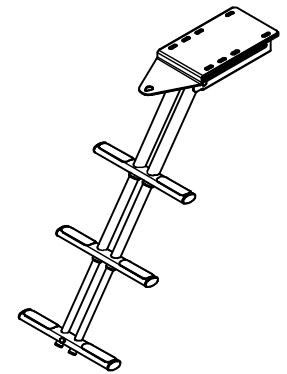
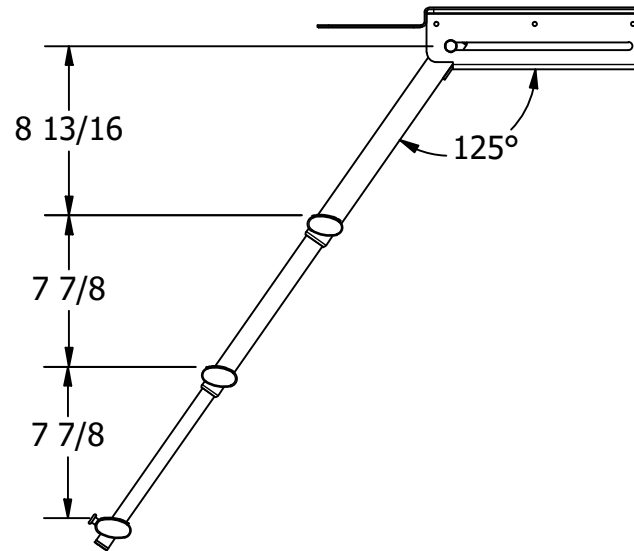
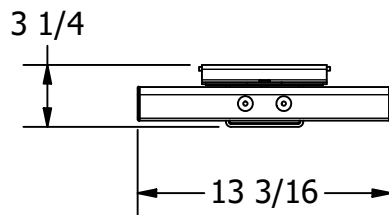
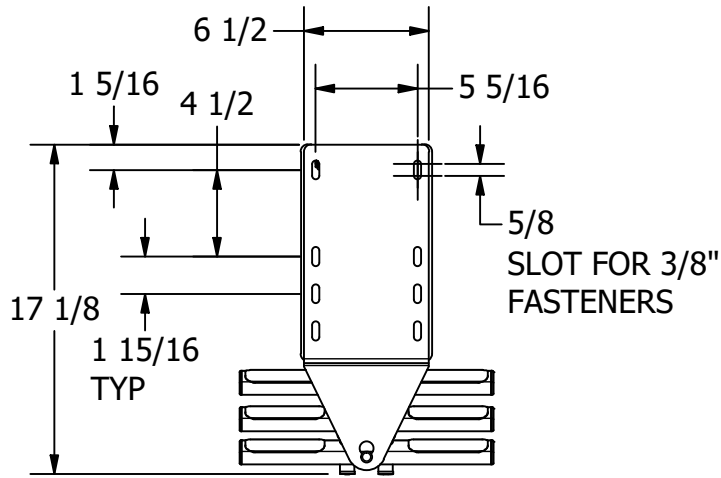



FOR REFERENCE ONLY

REVISION HISTORY		
REV	DESCRIPTION	DATE
1	ADD PAD, DEPLOY ANGLE WAS 130DEG	2/16/22



SCALE 1 : 20

		WHITE WATER MARINE HARDWARE	
TITLE			
UNDER PLATFORM SPORT/DIVER LADDER PART NUMBER: AM1303UPM-316			
SIZE	DWG NO	REV	
A	WWMH-AM1303UPM-316 CC	1	
SCALE	MATERIAL	SHEET 1 OF 1	
1 : 10			