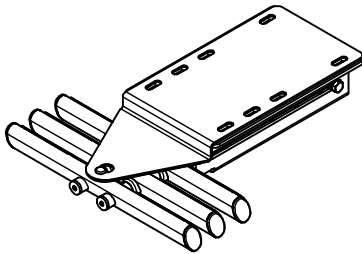


Installation Guide

AM1303UPM-316 UNDER PLATFORM DIVE LADDER

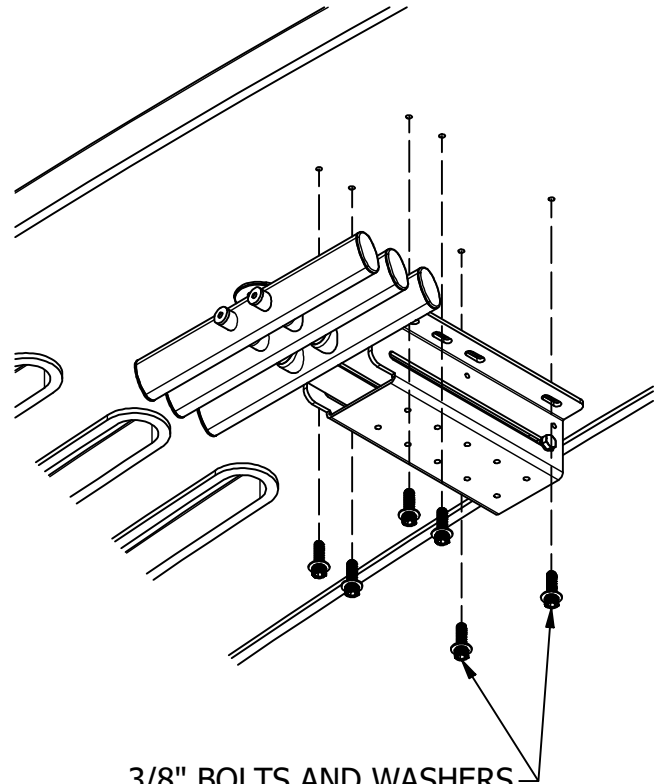


WHITE WATER
MARINE HARDWARE

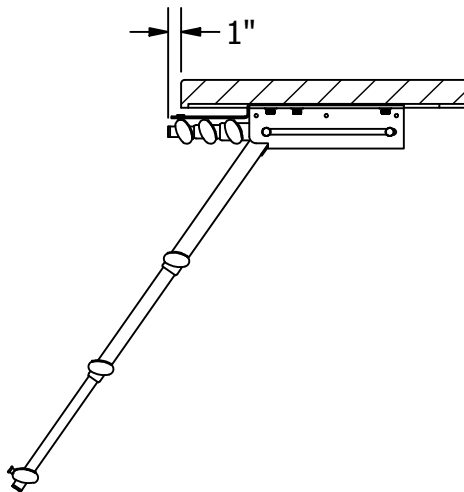


Required Materials (not included)

- Safety glasses
- Drill and bits
- Masking tape
- Pencil
- Marine adhesive/sealant (3M 4200 or equivalent)
- 6X - 3/8" stainless bolts
- 6X - 3/8" stainless washers
- Clean rags



3/8" BOLTS AND WASHERS
HARDWARE NOTE INCLUDED



Instructions

1. Determine suitable mounting location on a flat underside surface. *Consider proximity to grab rails above the platform as well as potential interferences. Additional reinforcement may be required.*
2. Position ladder and mark fastener hole locations using the bracket as a template. It is recommended to extend the ladder 1" outside the platform edge for a balance of comfort and avoiding snags with dock lines, etc. *Tip: Cover surface using masking tape and make reference marks to position and align the ladder.*
3. Predrill mounting holes appropriate for selected hardware. Any exposed core should be sealed to prevent water absorption. **Use caution with carbon steel tools around stainless hardware. Surface contamination can lead to the appearance of rust.**
4. Test fit ladder to be sure fastener holes are aligned and final position is as desired.
5. Remove all masking tape and prepare installation surface as recommended per selected adhesive/sealant instructions.
6. Bed entire mounting surface so a small amount of sealant is squeezed from all sides as fasteners are tightened. Clean up any excess sealant to leave a smooth joint between the bracket and mounting surface.
7. Wipe down metal surfaces using Stainless Steel polish/protectant.