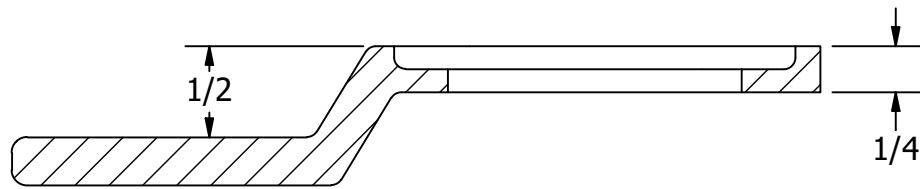
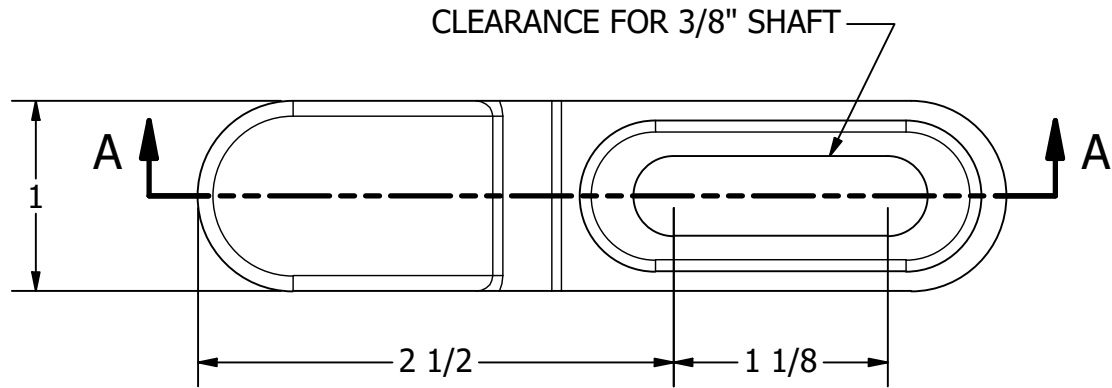


FOR REFERENCE ONLY



SECTION A-A

		WHITE WATER MARINE HARDWARE	
TITLE			
ADJUSTABLE LATCH CAM			
PART NUMBER: 7185S			
SIZE		DWG NO	REV
A		WWMH-7185S CC	0
SCALE	1 : 1	MATERIAL	SHEET 1 OF 1
		Stainless Steel	