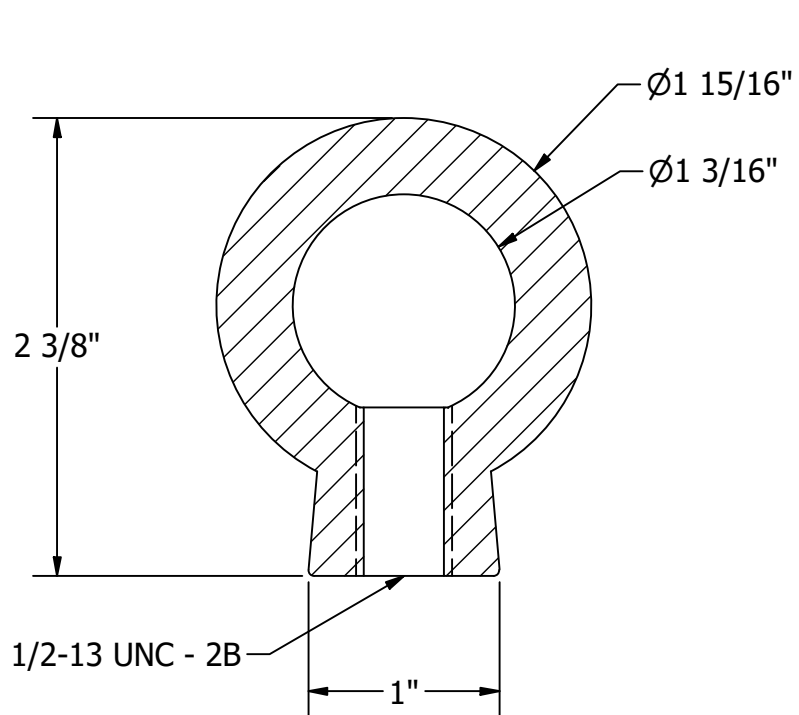
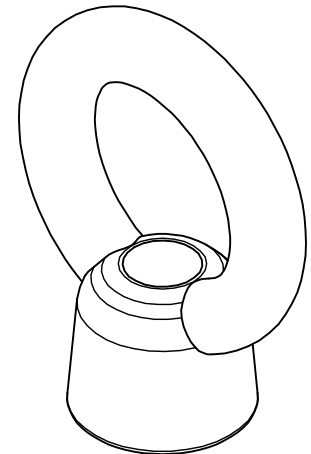
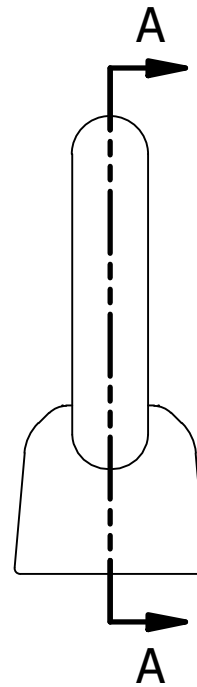


FOR REFERENCE ONLY



SECTION A-A



| | | | |
|---|-----------------------------|---|--------------|
|  | | WHITE WATER MARINE HARDWARE | |
| | | TITLE SS EYE NUT PART NUMBER: 2964S | |
| SIZE A | | DWG NO WWMH-2964S CC | REV 0 |
| SCALE 1 : 1 | MATERIAL Stainless Steel | | SHEET 1 OF 1 |