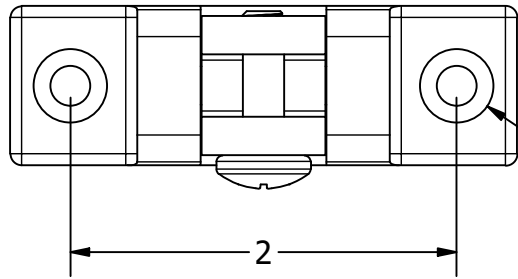
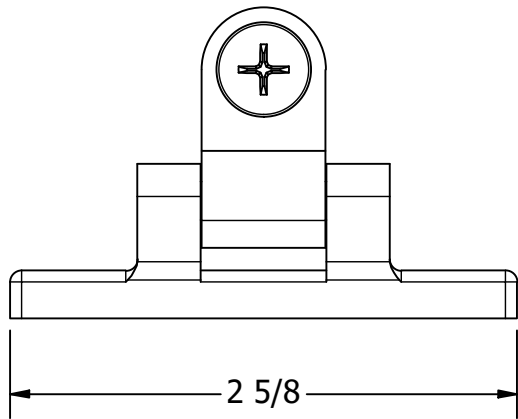
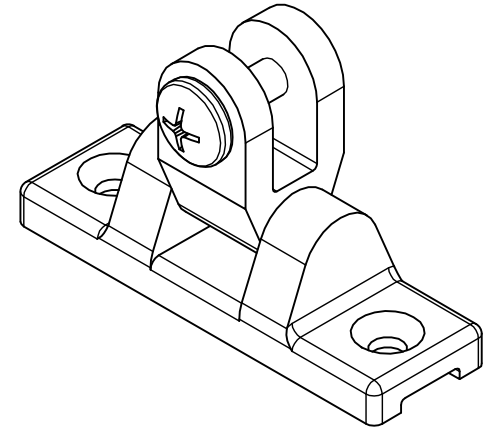


FOR REFERENCE ONLY

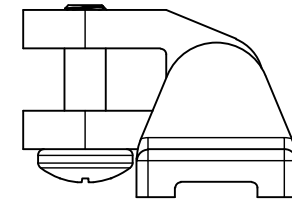
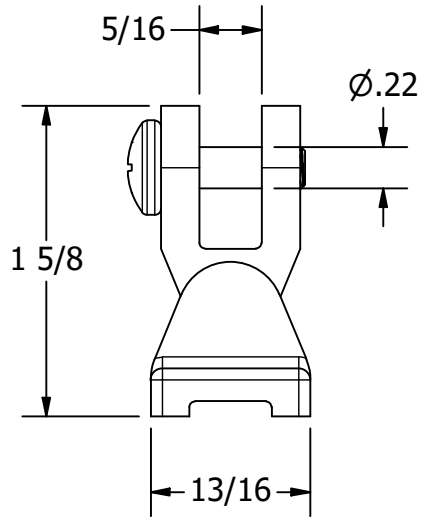


CLEARANCE FOR #10 FASTENERS
2X

2



2 5/8



FOLDED VIEW



WHITE WATER
MARINE HARDWARE

TITLE

UNIVERSAL DECK HINGE
PART NUMBER: 6838S

SIZE A	DWG NO WWMH-6838S CC	REV 0
SCALE 1 : 1	MATERIAL	SHEET 1 OF 1