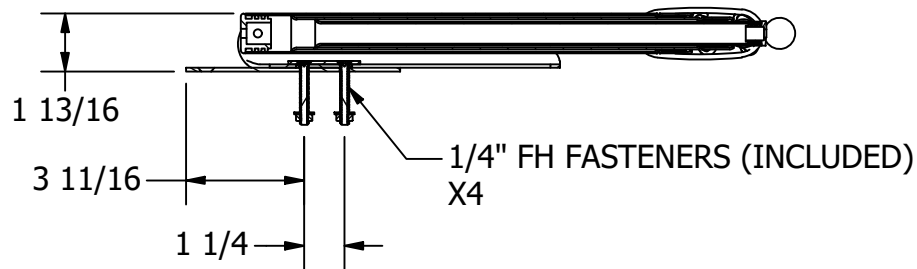
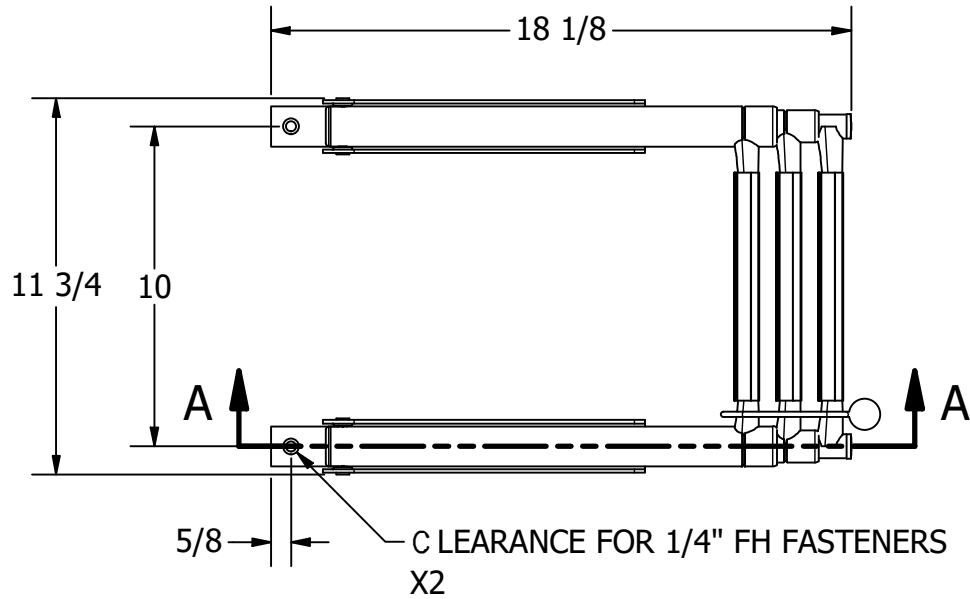
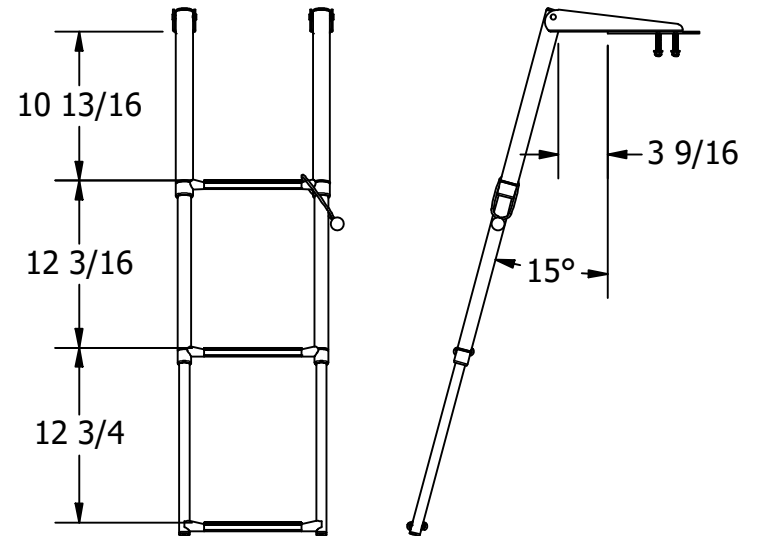



# FOR REFERENCE ONLY



STOWED VIEW  
SECTION A-A



DEPLOYED VIEW  
SCALE 1 : 14

		<b>WHITE WATER</b> MARINE HARDWARE	
		TITLE SLIDING OVER PLATFORM LADDER PART NUMBER: B00301SLT	
SIZE A	DWG NO WWMH-B00301SLT CC	REV 0	
SCALE 1 : 6	MATERIAL	SHEET 1 OF 1	