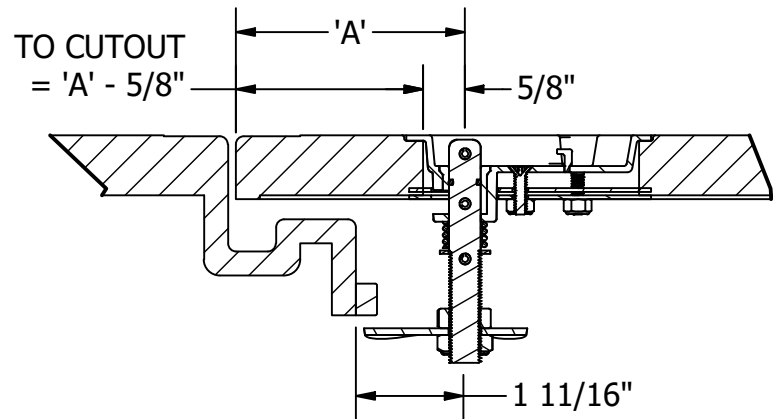
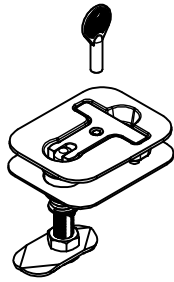


# Installation Guide

7177SLK RECTANGULAR COMPRESSION LATCH, LOCKING

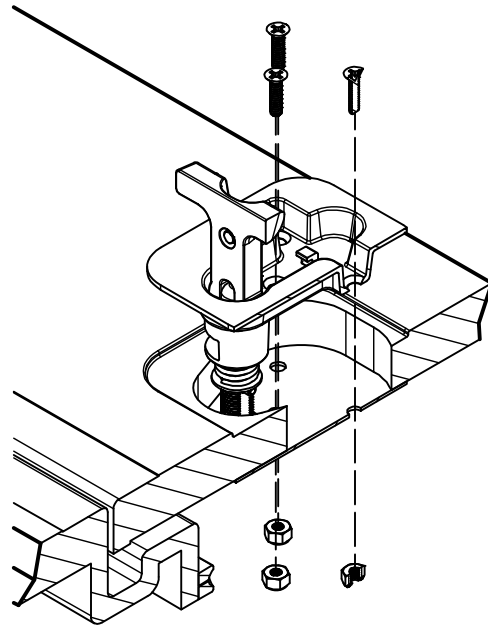
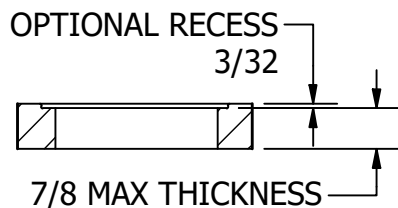
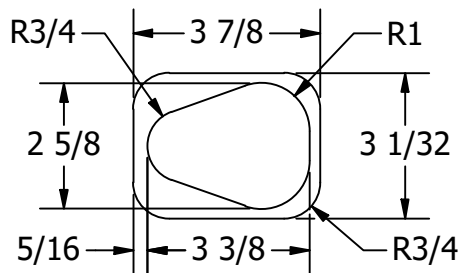


**WHITE WATER**  
MARINE HARDWARE



## Required Materials (not included)

- Safety glasses
- Drill and bits
- Jigsaw (or router)
- Masking tape
- Ruler
- Pencil
- 3X - 1/4" FH fasteners



## Instructions

1. Determine suitable lid for installation of compression latch. Consider size of lid and strength of mounting surfaces. Multiple latches may be required.
2. Beginning at the strike plate mounting surface, measure 1-11/16" to the center of the latch shaft and mark the location. The nearest point of the cutout can be determined by measuring from the marked location to the edge of the lid 'A'. The distance from the edge of the lid to the nearest edge of the cutout is 'A' - 5/8". Alternatively, use the latch as a template to mark the cutout location. Tip: Cover surface using masking tape and make reference marks to position and align the latch.
3. Make cutout for latch body. Any exposed core should be sealed to prevent water absorption.
4. Test fit latch to be sure final position is as desired.
5. Remove all masking tape. If bedding hardware with an adhesive/sealant, prepare surface as recommended per manufacturer instructions.
6. Install latch and strike plate. Caution: over tightening screws may cause the latch backing plate to bend.
7. Wipe down metal surfaces using Stainless Steel polish/protectant.