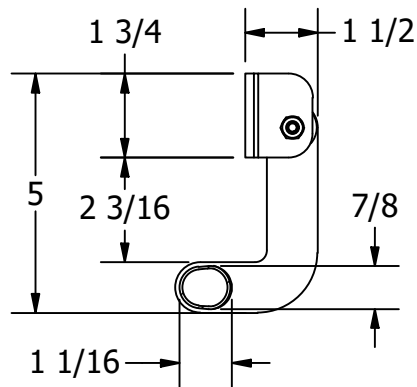
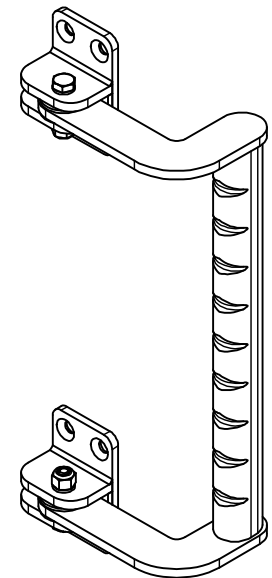
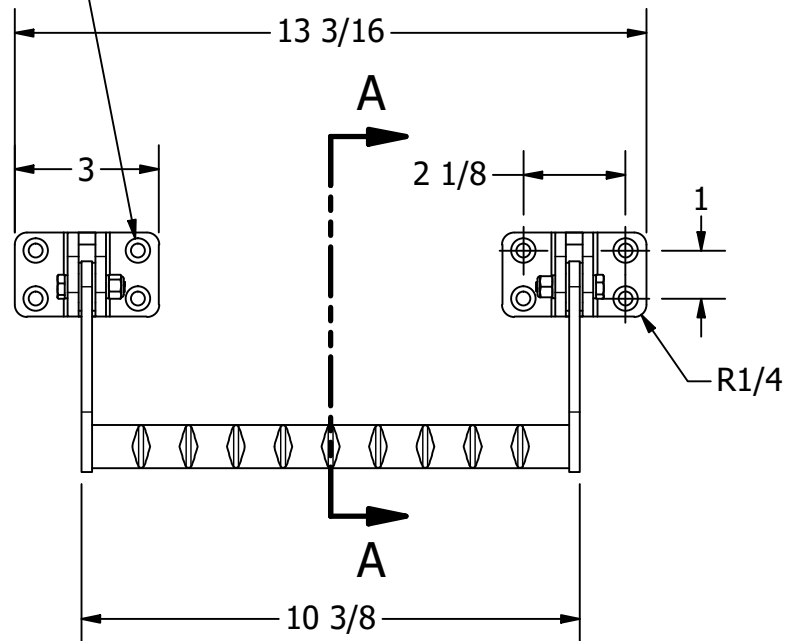



FOR REFERENCE ONLY

CLEARANCE FOR
1/4" FLAT/OVAL HEAD MACHINE SCREW
OR #14 FLAT/OVAL HEAD SHEET METAL SCREW
8X



SECTION A-A



		WHITE WATER MARINE HARDWARE	
		TITLE FOLDING GRAB RAIL PART NUMBER: 7952S	
SIZE A	DWG NO WWMH-7952S CC	REV 0	
SCALE 1 : 4	MATERIAL	SHEET 1 OF 1	