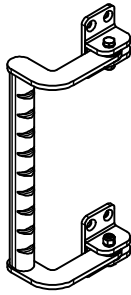


Installation Guide

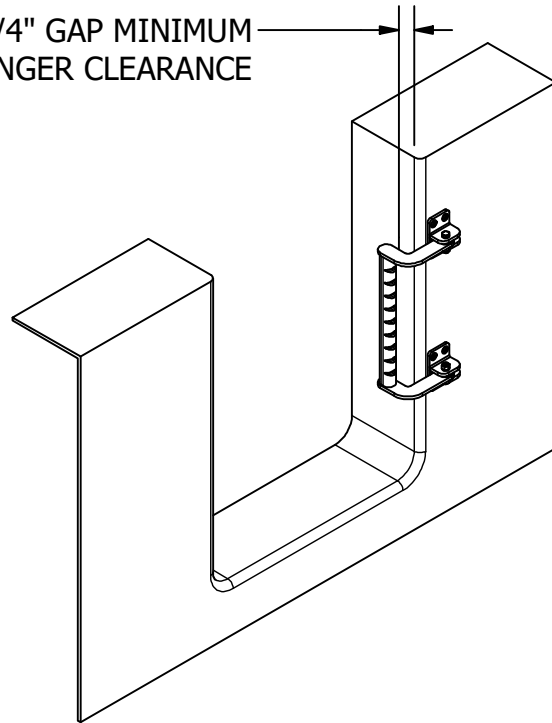
7952S FOLDING GRAB RAIL



WHITE WATER
MARINE HARDWARE

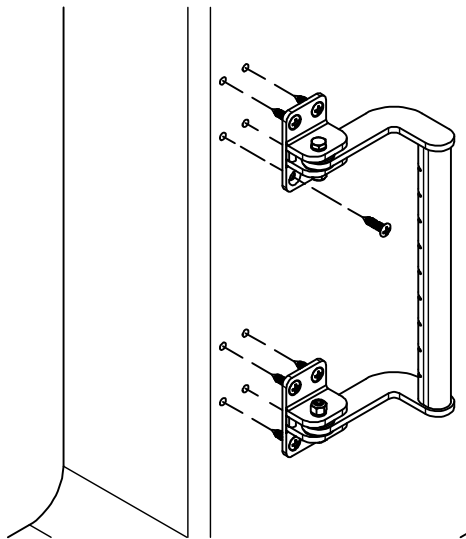


1-1/4" GAP MINIMUM
FOR FINGER CLEARANCE



Required Materials (not included)

- Safety glasses
- Drill and bits
- Screwdriver
- Masking tape
- Pencil
- Marine adhesive/sealant (3M 4200 or equivalent)
- 8X - #14 Oval Head Sheet Metal Screws
- Clean rags



example:
installation in door opening

Instructions

1. Determine suitable mounting location on a flat surface. *Additional reinforcement may be required.*
2. Position railing and mark fastener hole locations. *Tip: Cover surface using masking tape and make reference marks to position and align the railing.*
3. Predrill mounting holes appropriate for #14 sheet metal screws (or alternative hardware). Any exposed core should be sealed to prevent water absorption. **Use caution with carbon steel tools around stainless hardware. Surface contamination can lead to the appearance of rust.**
4. Test fit railing to be sure fastener holes are aligned and final position is as desired.
5. Remove all masking tape and prepare installation surface as recommended per selected adhesive/sealant instructions.
6. Bed entire mounting surface so a small amount of sealant is squeezed from all sides as fasteners are tightened.
7. Clean up any excess sealant to leave a smooth joint between the railing and mounting surface.
8. Wipe down metal surfaces using Stainless Steel polish/protectant.