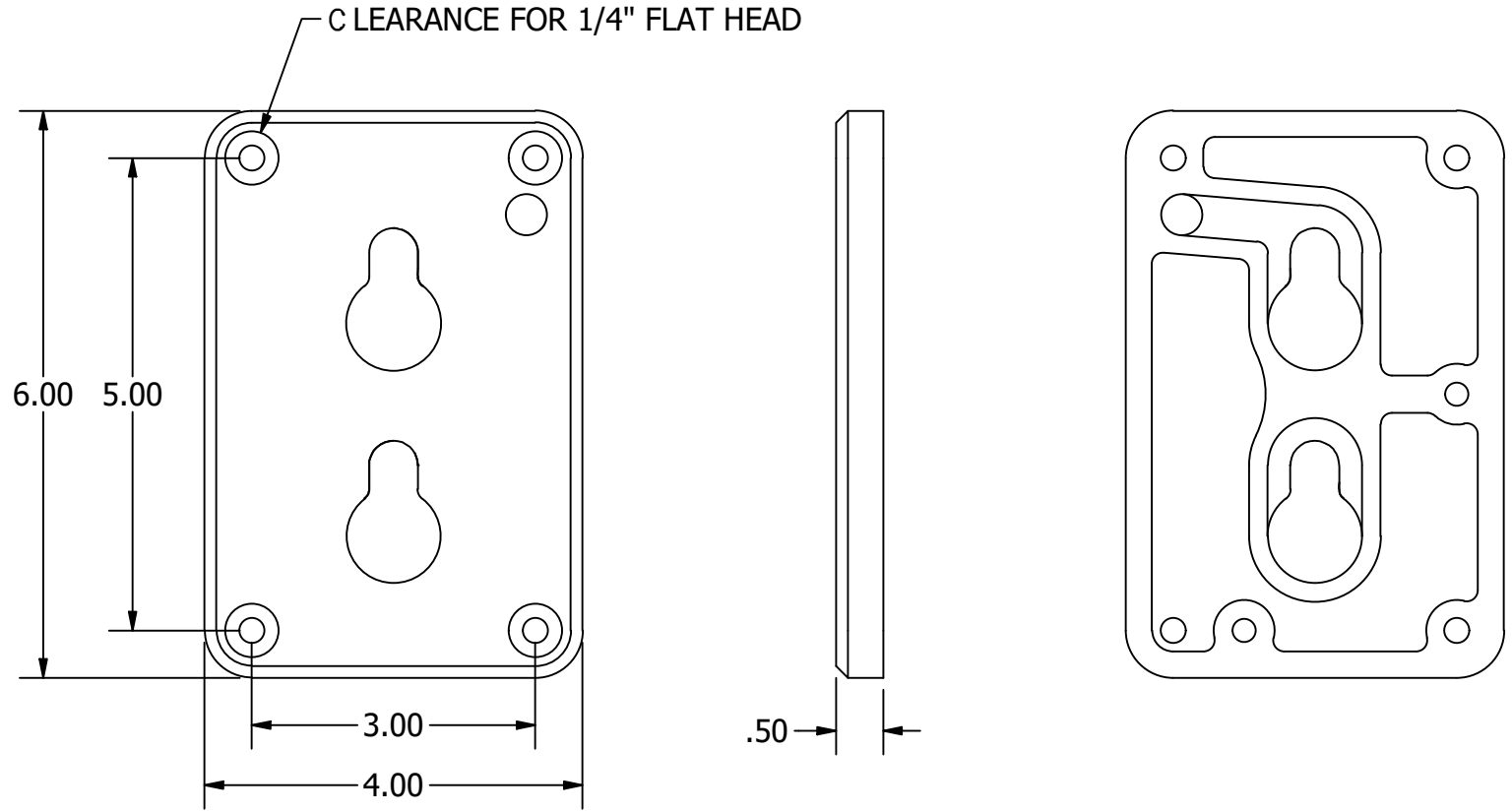



NOTES:

- FOR USE WITH AM1504MB.



FOR REFERENCE ONLY

		WHITE WATER MARINE HARDWARE	
		TITLE MOUNTING PLATE FOR AM1504PL - SURFACE MOUNT PART NUMBER: AMB8 (RD70)	
SIZE A	DWG NO WWMH-AMB8 CC	REV 0	
SCALE 1 : 2	MATERIAL Stainless Steel	SHEET 1 OF 1	